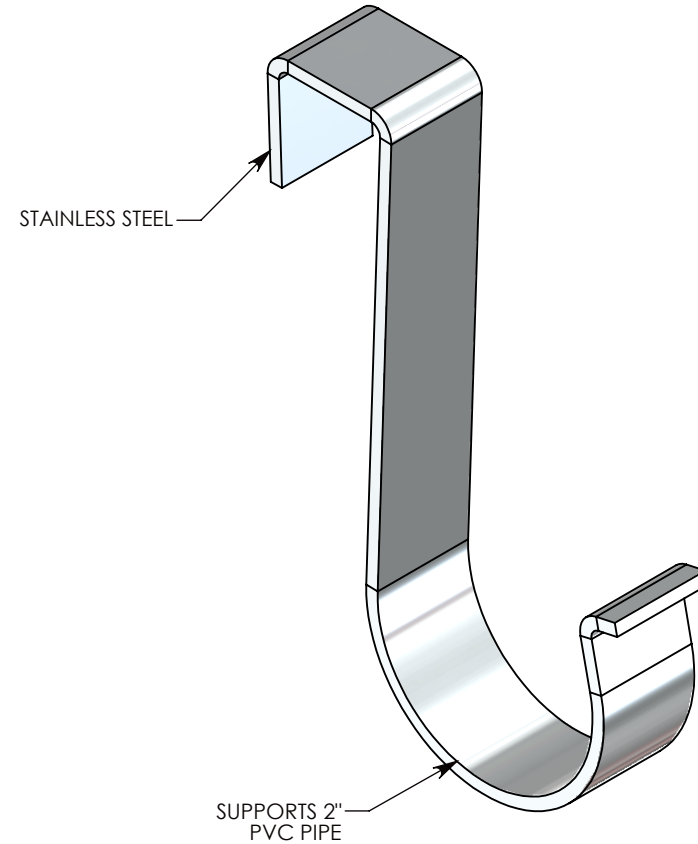
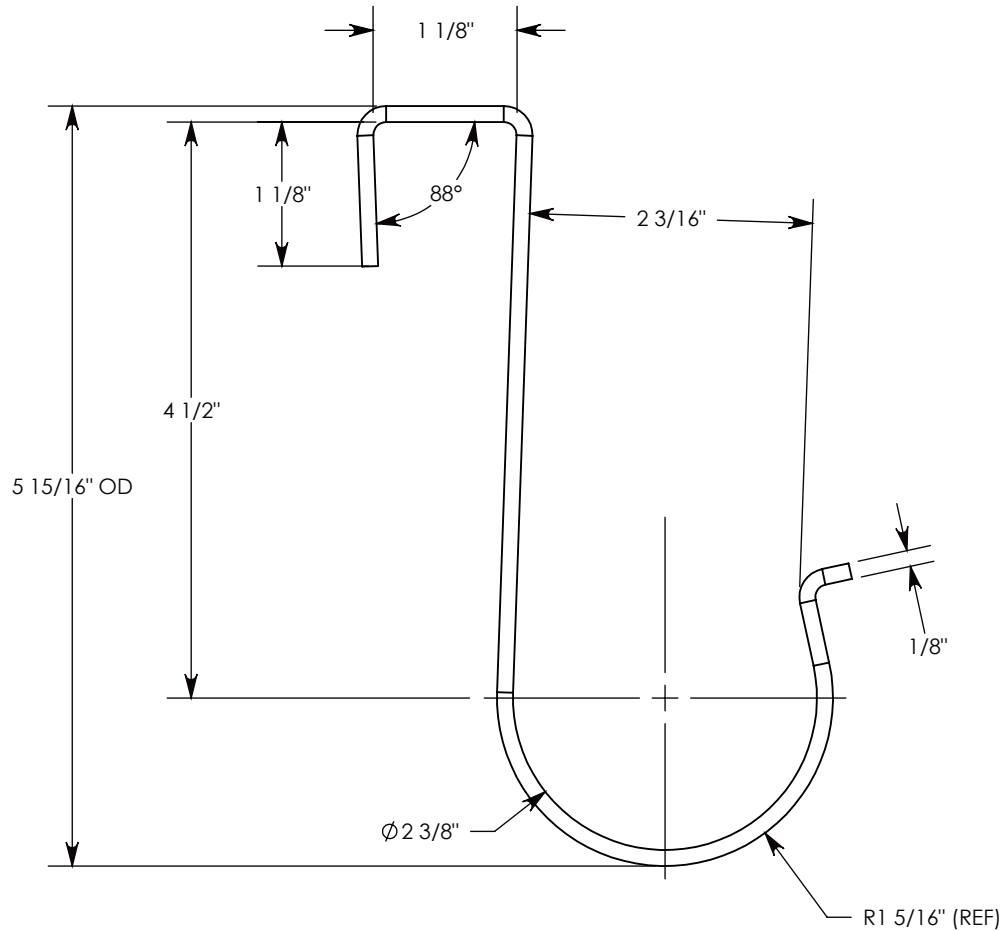


**FIBERCRETE<sup>®</sup>**  
**TRENCH**  
**SYSTEM**



CHANNELS ARE NOTCHED FOR CABLE CLIPS.

<b>DRAWN BY: ROBIN FLINT</b>	
<b>DATE: 8/10/2015</b>	<b>REVISION LEVEL: 0</b>
<b>WEIGHT: 0.4 LBS.</b>	<b>MATERIAL: STAINLESS STEEL</b>

1010 NORTH STAR DRIVE  
P.O. BOX 69  
ZUMBROTA, MN 55992-0069

<b>DESCRIPTION:</b> <b>PEDESTRIAN CHANNEL CABLE CLIP</b>	
DIMENSIONS ARE IN INCHES TOLERANCES: FRACTIONAL: ± 1/8" ANGULAR: ± 2°	CONTACT INFORMATION: EMAIL: INFO@CONCASTINC.COM PHONE: (507) 732-4095 FAX: (507) 732-4094
<b>PART NUMBER: 8002-004</b>	SHEET 1 OF 1