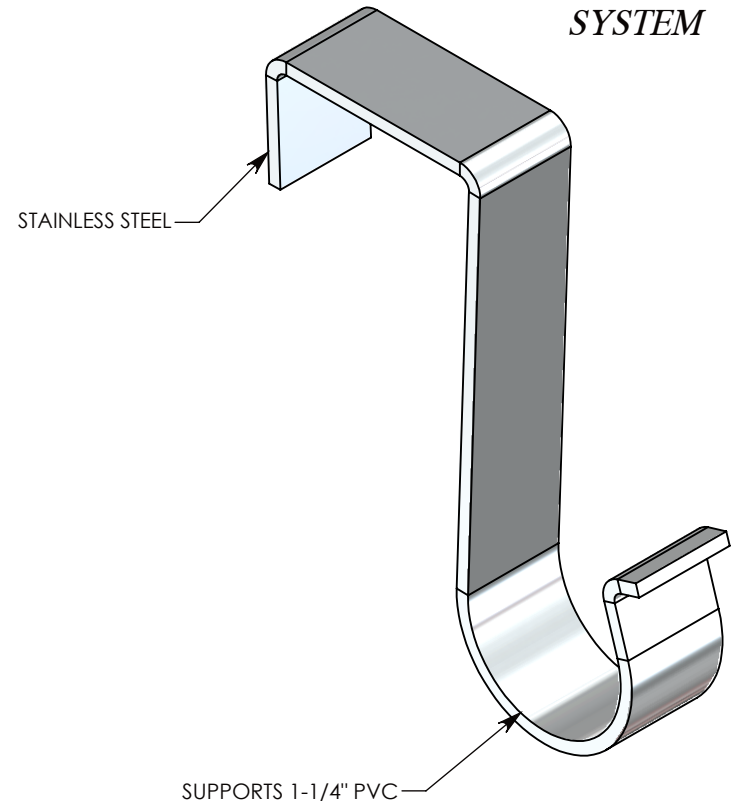
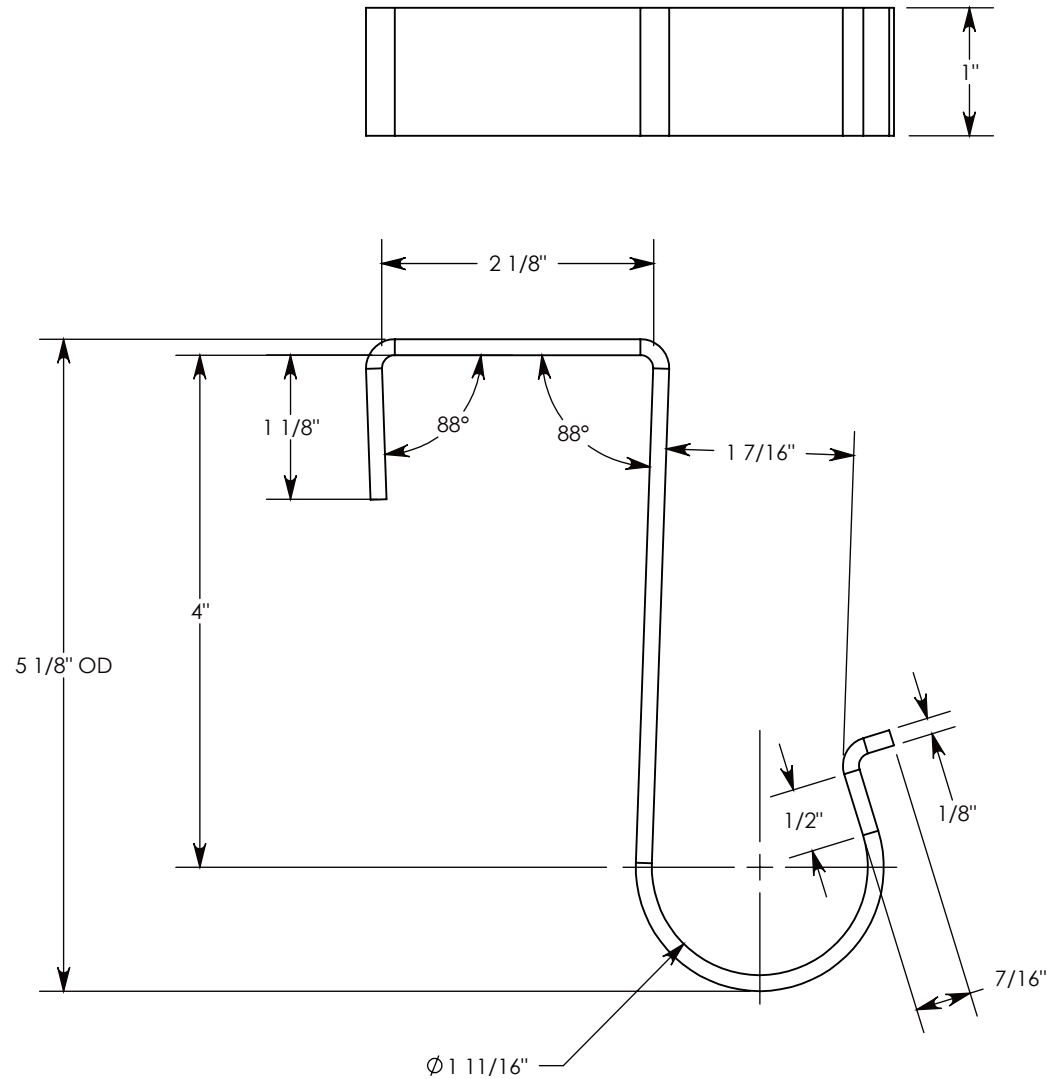


**FIBERCRETE<sup>®</sup>**  
**TRENCH**  
**SYSTEM**



CHANNELS ARE NOTCHED FOR CABLE CLIPS.

**DRAWN BY: ROBIN FLINT**

**DATE: 8/14/2015**

**REVISION LEVEL: 0**

**WEIGHT:**

**0.4 LBS.**

**MATERIAL:**

**STAINLESS STEEL**



1010 NORTH STAR DRIVE  
 P.O. BOX 69  
 ZUMBROTA, MN 55992-0069

**DESCRIPTION:**

**PEDESTRIAN PT CHANNEL CABLE CLIP**

DIMENSIONS ARE IN INCHES  
 TOLERANCES:  
 FRACTIONAL:  $\pm 1/8$ "  
 ANGULAR:  $\pm 2^\circ$

CONTACT INFORMATION:  
 EMAIL: INFO@CONCASTINC.COM  
 PHONE: (507) 732-4095  
 FAX: (507) 732-4094

**PART NUMBER: 8002PT-005**

SHEET 1 OF 1