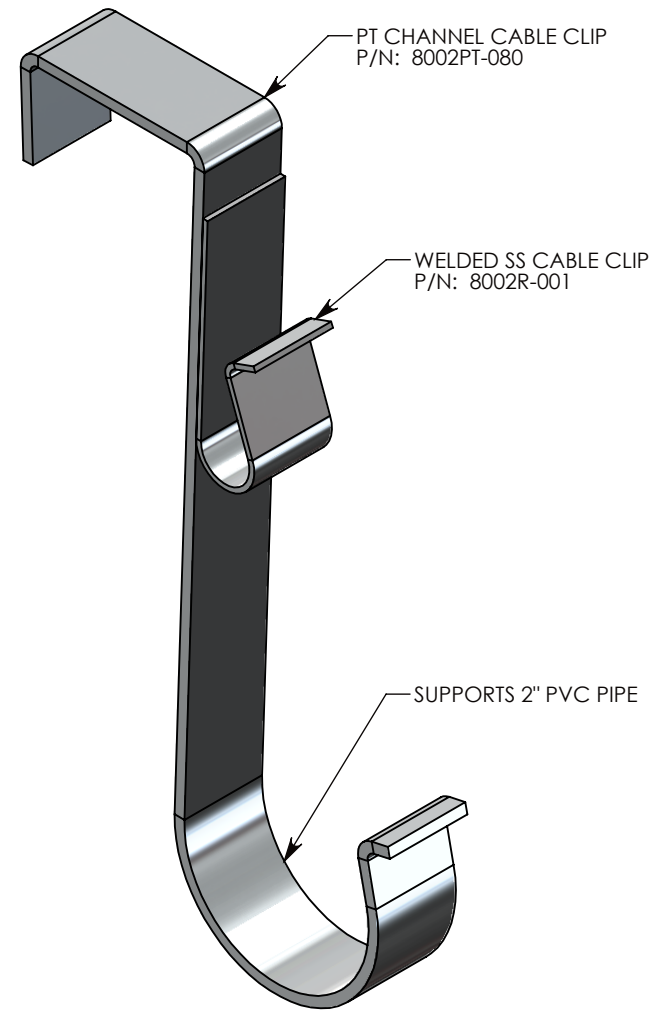
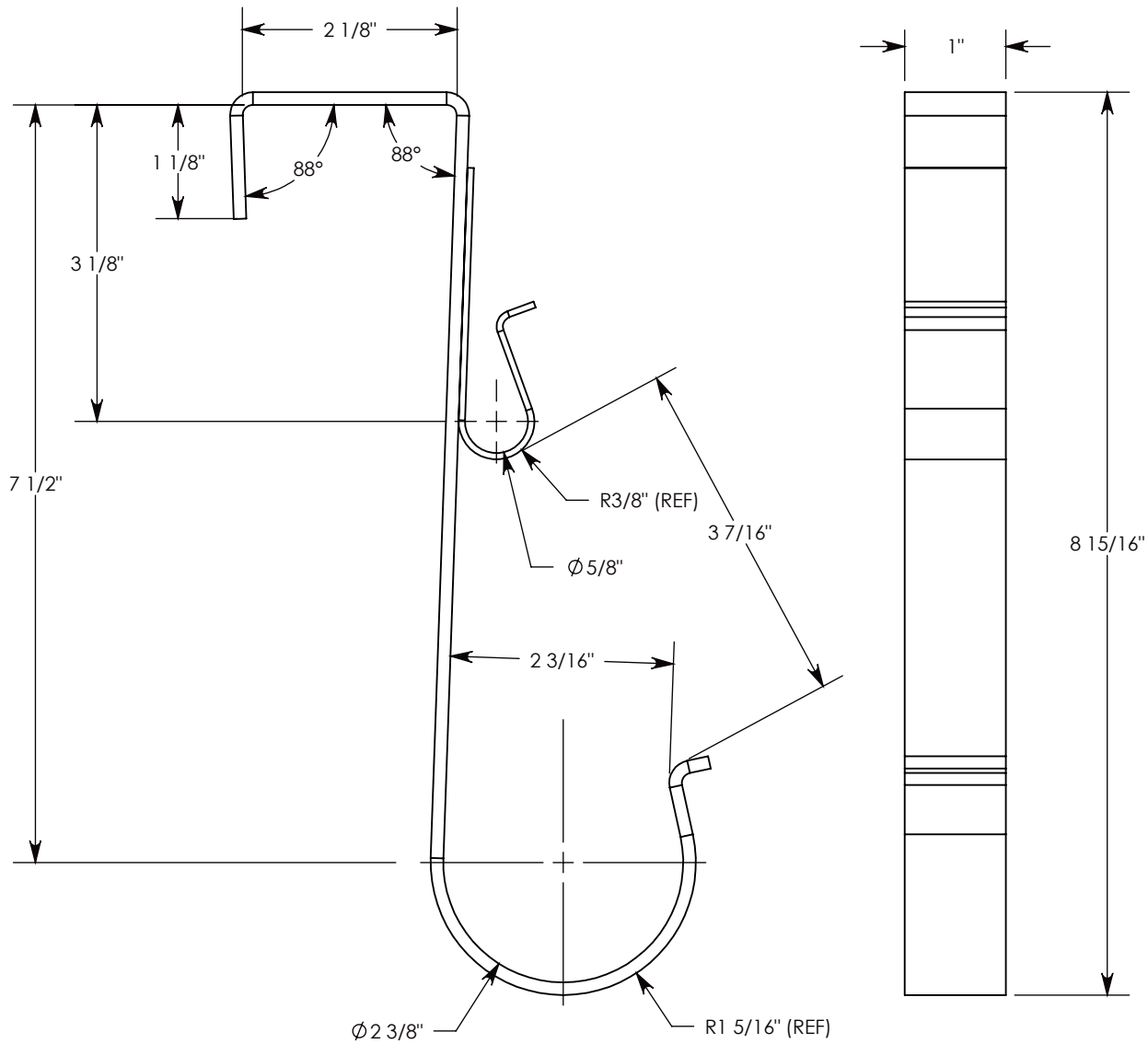


FIBERCRETE[®]
TRENCH
SYSTEM



DRAWN BY: ROBIN FLINT

DATE: 8/15/2015

REVISION LEVEL: 0

WEIGHT:

0.7 LBS.

MATERIAL:

WELDED SS



1010 NORTH STAR DRIVE
P.O. BOX 69
ZUMBROTA, MN 55992-0069

DESCRIPTION:

PEDESTRIAN CHANNEL DOUBLE CABLE CLIP

DIMENSIONS ARE IN INCHES
TOLERANCES:
FRACTIONAL: ± 1/8"
ANGULAR: ± 2°

CONTACT INFORMATION:
EMAIL: INFO@CONCASTINC.COM
PHONE: (507) 732-4095
FAX: (507) 732-4094

PART NUMBER: 8002PT-008

SHEET 1 OF 1