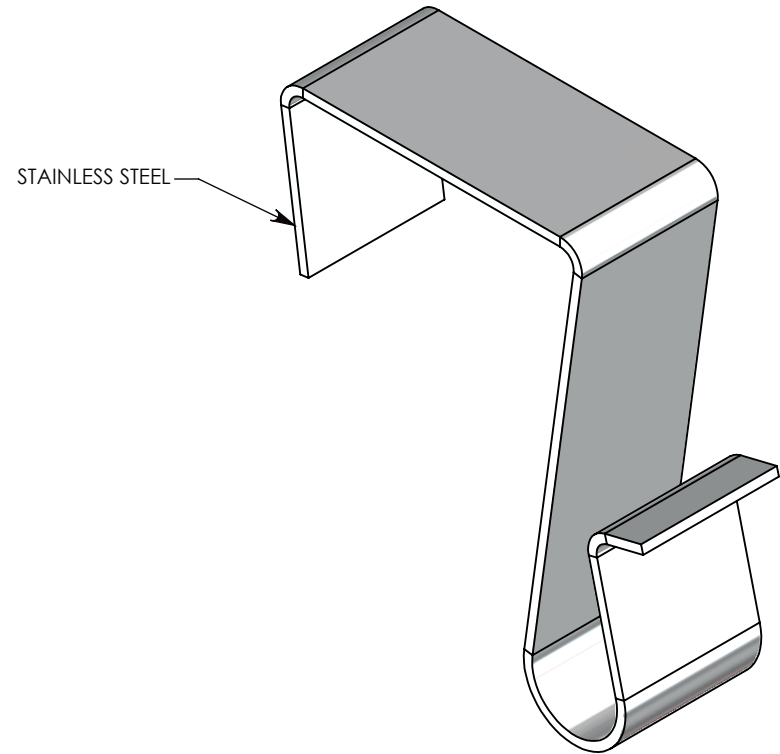
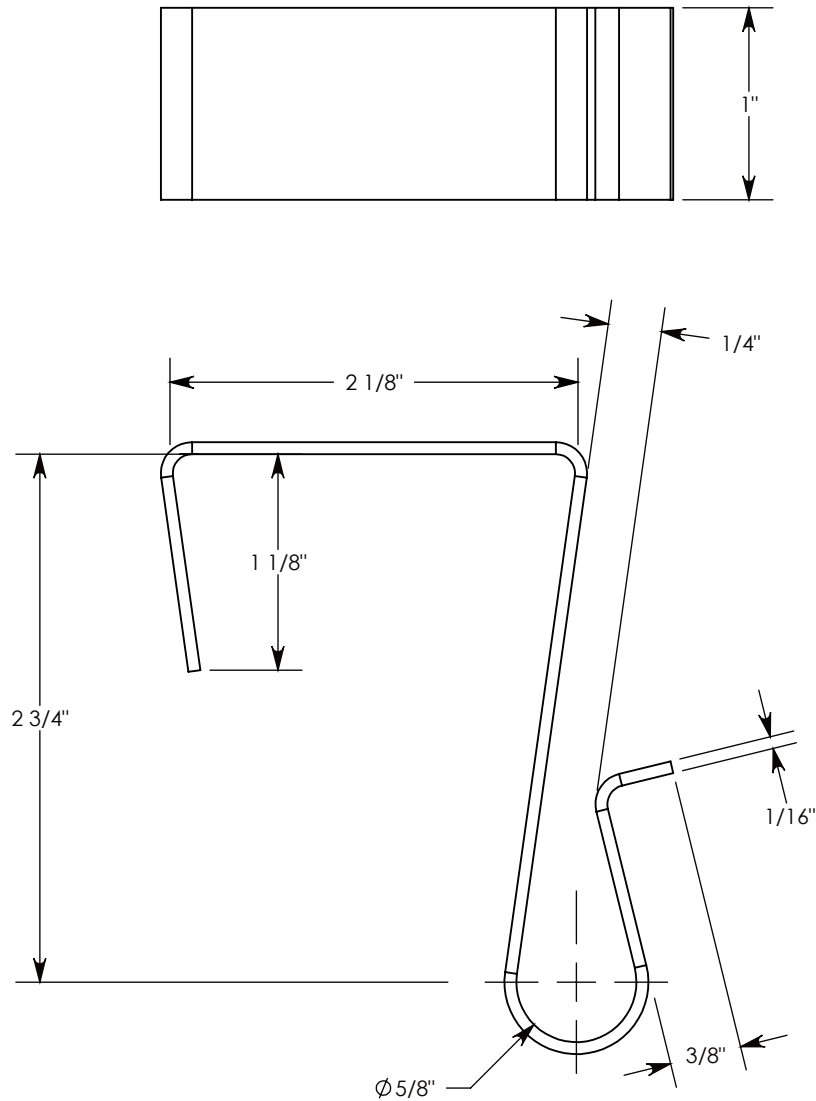


**FIBERCRETE<sup>®</sup>**  
**TRENCH**  
**SYSTEM**



CHANNELS ARE NOTCHED FOR GROUND CABLE CLIPS.

**DRAWN BY: ROBIN FLINT**

**DATE: 8/8/2015**

**REVISION LEVEL: 0**

**WEIGHT:**

**0.1 LBS.**

**MATERIAL:**

**STAINLESS STEEL**



**DESCRIPTION:**

**PEDESTRIAN PT CHANNEL CABLE CLIP**

DIMENSIONS ARE IN INCHES  
 TOLERANCES:  
 FRACTIONAL:  $\pm 1/8"$   
 ANGULAR:  $\pm 2^\circ$

CONTACT INFORMATION:  
 EMAIL: [INFO@CONCASTINC.COM](mailto:INFO@CONCASTINC.COM)  
 PHONE: (507) 732-4095  
 FAX: (507) 732-4094

**PART NUMBER: 8002PT**

SHEET 1 OF 1