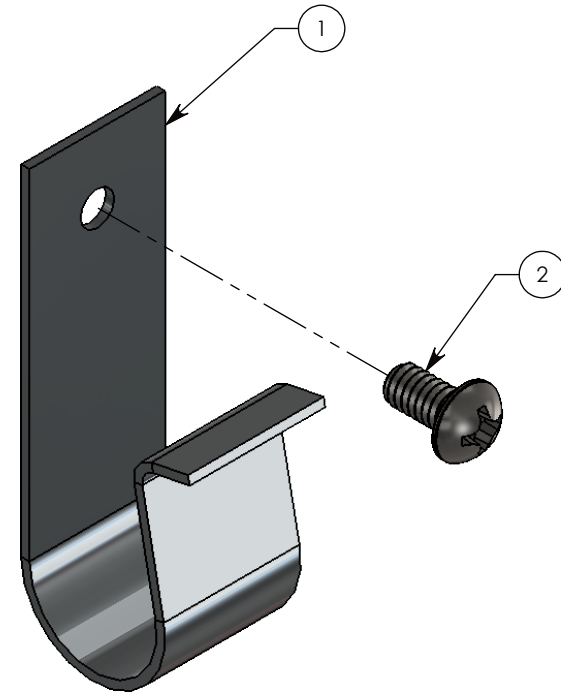
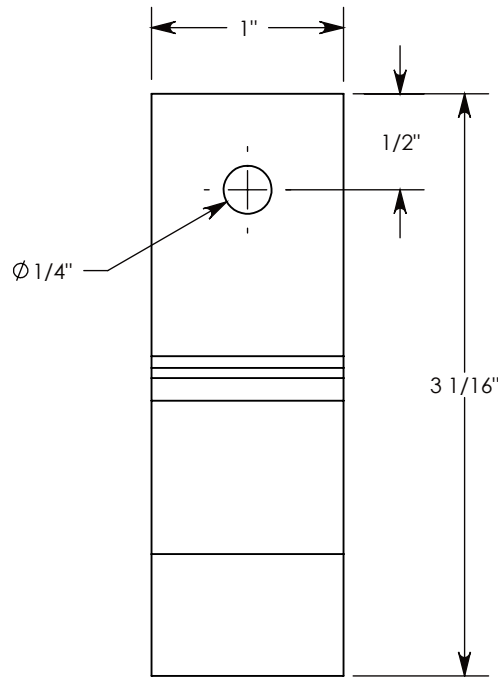
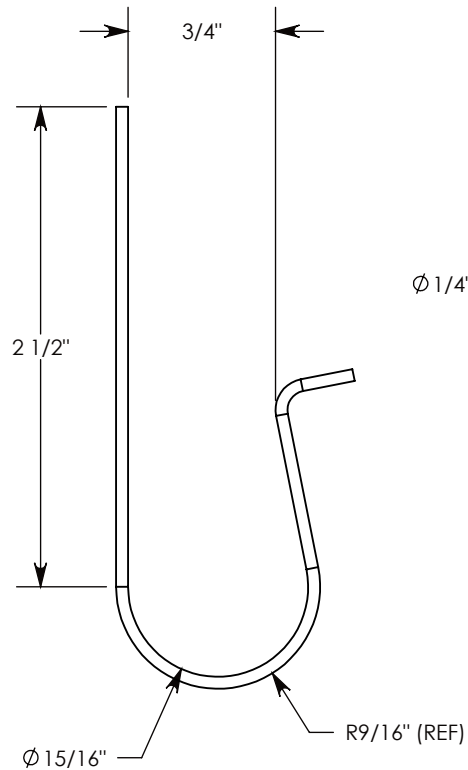


ITEM NO.	PART NUMBER	DESCRIPTION	QTY.
1	8002R-020	TRAFFIC CHANNEL SS CABLE CLIP	1
2	PHMS.25-.5	1/4-20 X 1/2 LG PAN HEAD MACHINE SCREW	1



**NOTE 1:** MACHINE SCREW IS INCLUDED

**NOTE 2:** TRAFFIC RATED CHANNELS HAVE CAST-IN THREADED INSERTS FOR MOUNTING CABLE CLIPS.

**DRAWN BY:** ROBIN FLINT

**DATE:** 1/28/2017

**REVISION LEVEL:** A

**WEIGHT:**

0.1 LBS.

**MATERIAL:**

NOTED



**DESCRIPTION:**

**TRAFFIC RATED CHANNEL CABLE CLIP**

DIMENSIONS ARE IN INCHES  
TOLERANCES:  
FRACTIONAL:  $\pm 1/8"$   
ANGULAR:  $\pm 2^\circ$

CONTACT INFORMATION:  
EMAIL: INFO@CONCASTINC.COM  
PHONE: (507) 732-4095  
FAX: (507) 732-4094

SHEET 1 OF 2

**PART NUMBER:**

**8002R-002**