

NOTE 1: SEE SHEET 2 FOR AN EXAMPLE OF 8002R-014 IN AN HT3 CHANNEL

DRAWN BY: **JESSE GUTTING**

CREATED DATE: **12/13/2021** REVISION LEVEL: **0**

SAVED DATE: **12/14/2021** SAVED BY: **jgutting**

WEIGHT: **0 LBS.** MATERIAL: **STAINLESS STEEL**



CONCAST
 1010 NORTH STAR DRIVE
 P.O. BOX 69
 ZUMBROTA, MN 55992-0069

DESCRIPTION:

TRAFFIC RATED CHANNEL CABLE CLIP

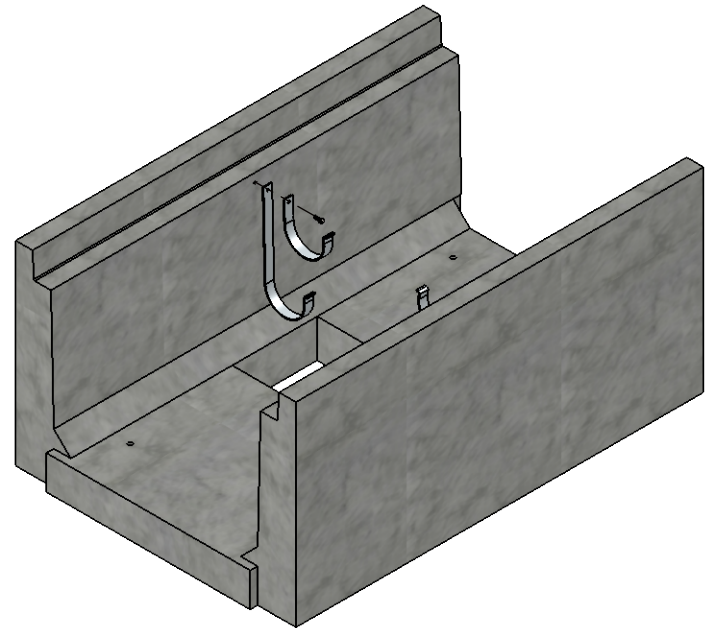
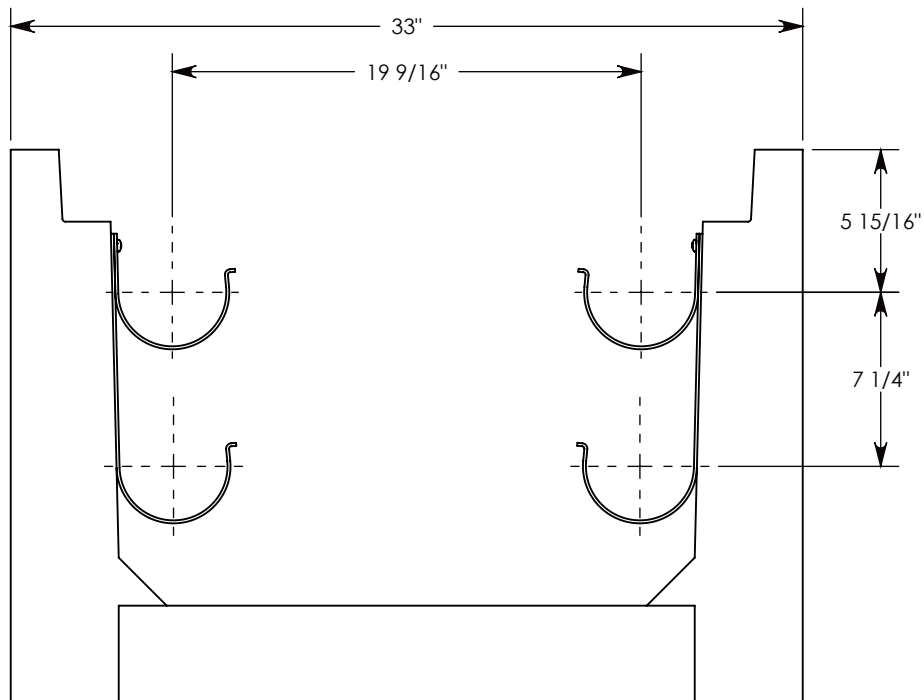
DIMENSIONS ARE IN INCHES
 TOLERANCES:
 FRACTIONAL: $\pm 1/8''$
 ANGULAR: $\pm 2^\circ$

CONTACT INFORMATION:
 EMAIL: INFO@CONCASTINC.COM
 PHONE: (507) 732-4095
 FAX: (507) 732-4094

SHEET 1 OF 2

PART NUMBER:

8002R-014



8002R-014 SHOWN IN AN 802416HT3 CHANNEL

DRAWN BY: **JESSE GUTTING**

CREATED DATE: **12/13/2021** REVISION LEVEL: **0**

SAVED DATE: **12/14/2021** SAVED BY: **jgutting**

WEIGHT: **~ LBS.** MATERIAL: **NOTED**



CONCAST
 1010 NORTH STAR DRIVE
 P.O. BOX 69
 ZUMBROTA, MN 55992-0069

DESCRIPTION:

8002R-14 SHOWN IN CHANNEL

DIMENSIONS ARE IN INCHES
 TOLERANCES:
 FRACTIONAL: $\pm 1/8"$
 ANGULAR: $\pm 2^\circ$

CONTACT INFORMATION:
 EMAIL: INFO@CONCASTINC.COM
 PHONE: (507) 732-4095
 FAX: (507) 732-4094

SHEET 2 OF 2

PART NUMBER:

8002R-014