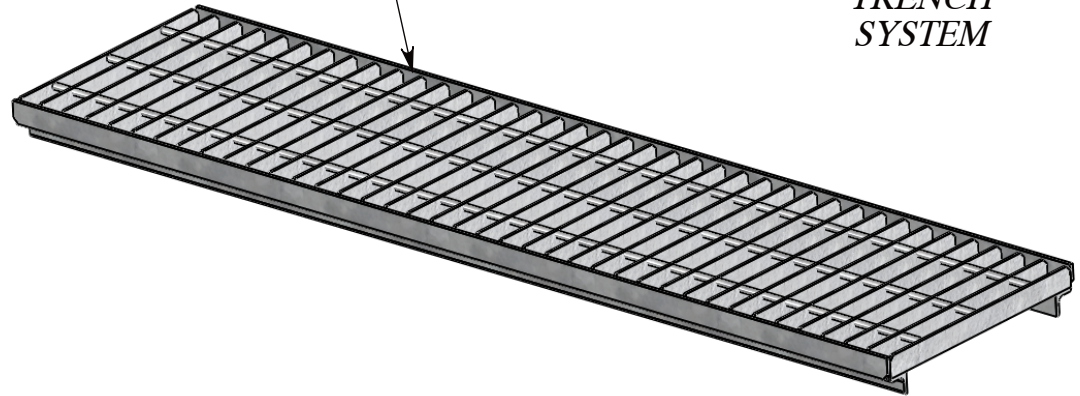
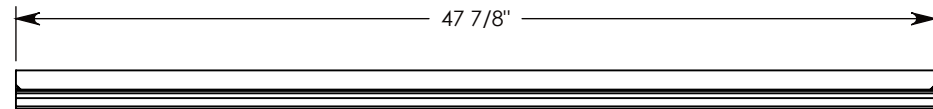
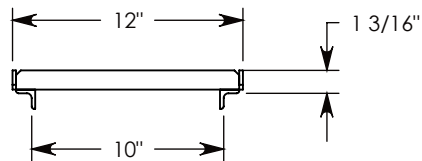
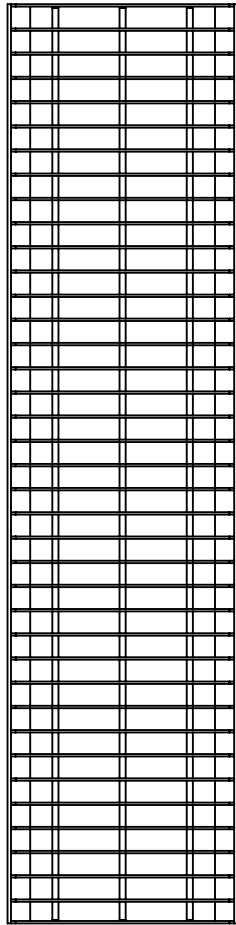


FIBERCRETE[®]
TRENCH
SYSTEM

WELDED GALVANIZED STEEL GRATE



COVER ASSEMBLES ONTO 10" INSIDE WIDTH
 PEDESTRIAN RATED CONCAST CHANNEL.



NOTE: FOR NON-STANDARD LENGTHS, THE PART NUMBER WILL CORRESPOND TO IT'S MEASURED LENGTH. IE: 8011V 18"

PEDESTRIAN RATED - 200 LB. PER SQ. FOOT

DRAWN BY: ROBIN FLINT

DATE: 7/10/2013

REVISION LEVEL: 0

WEIGHT:

34 LBS.

MATERIAL:

GALVANIZED STEEL



DESCRIPTION:

VENTILATED STEEL COVER

DIMENSIONS ARE IN INCHES
 TOLERANCES:
 FRACTIONAL: ± 1/8"
 ANGULAR: ± 2°

CONTACT INFORMATION:
 EMAIL: INFO@CONCASTINC.COM
 PHONE: (507) 732-4095
 FAX: (507) 732-4094

SHEET 1 OF 2

PART NUMBER:

8011V