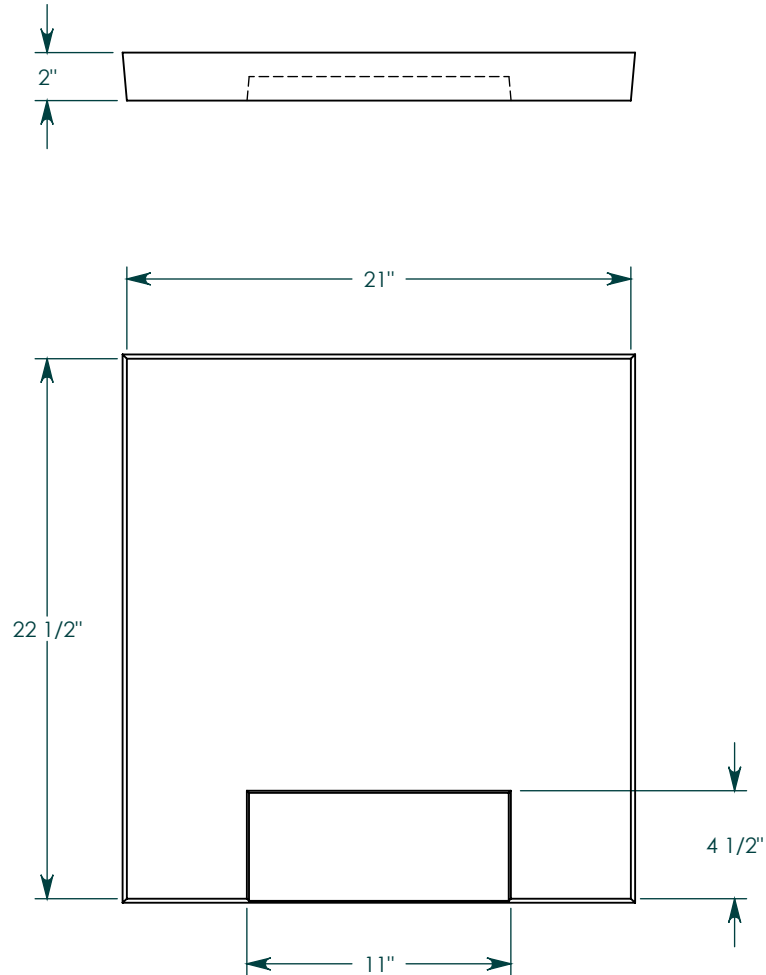
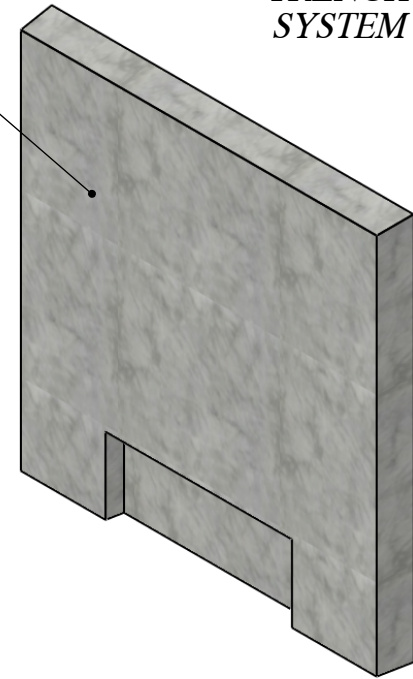


FIBERCRETE[®]
TRENCH
SYSTEM



STEEL REINFORCED
 CONCRETE



H-20 RATED - 32,000 LB. PER AXLE LOAD.

DRAWN BY: ROBIN LEWIS

DATE: 5/24/2011

REVISION LEVEL: 0

WEIGHT:

75 LBS.

MATERIAL:

CONCRETE



1010 NORTH STAR DRIVE
 P.O. BOX 69
 ZUMBROTA, MN 55992-0069

DESCRIPTION:

HEAVY TRAFFIC END PLATE

DIMENSIONS ARE IN INCHES
 TOLERANCES:
 FRACTIONAL: $\pm 1/8"$
 ANGULAR: $\pm 2^\circ$

CONTACT INFORMATION:
 EMAIL: INFO@CONCASTINC.COM
 PHONE: (507) 732-4095
 FAX: (507) 732-4094

SHEET 1 OF 1

PART NUMBER:

8013HT