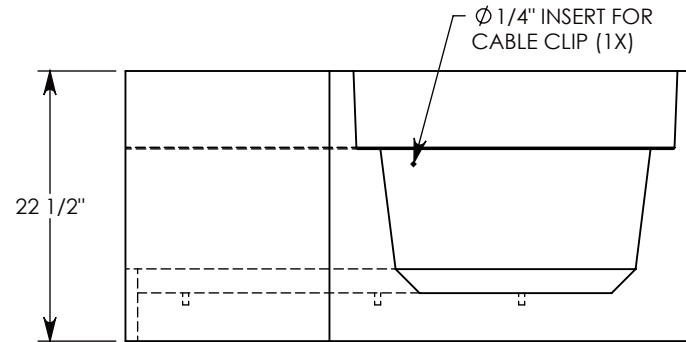
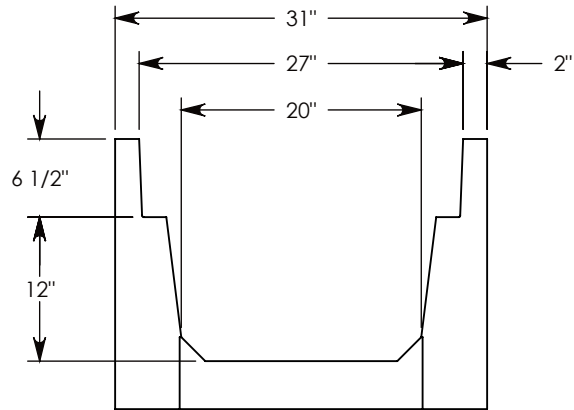
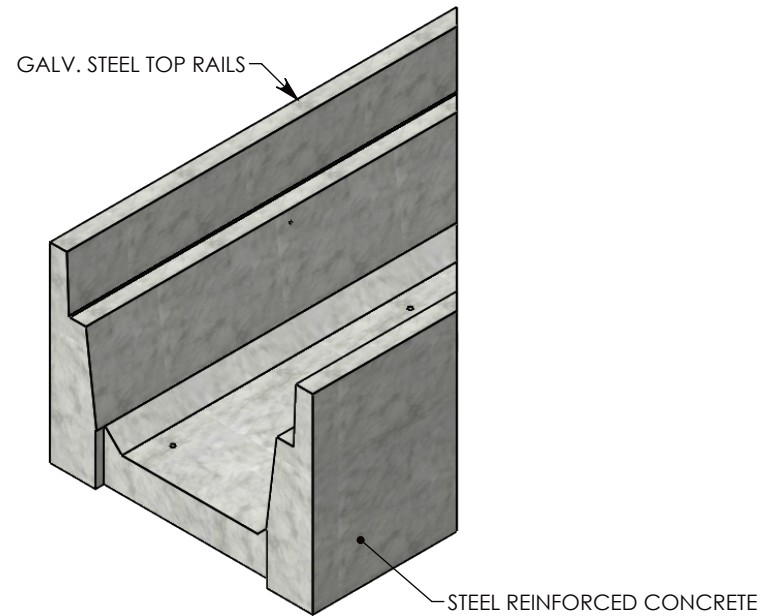
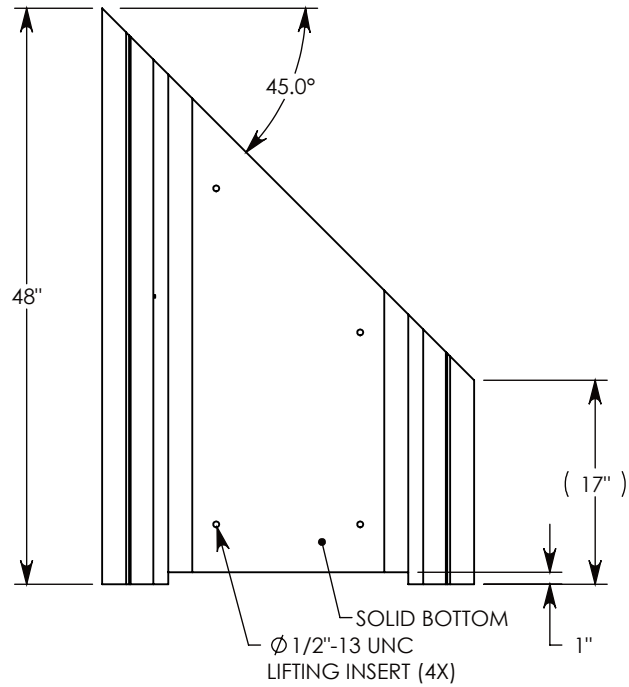


REV. B - SIC - 2/4/2020 - UPDATED WEIGHT RATING TO H-40, WAS H-20; CHANGED LIFTING INSERT QTY TO 4, WAS QTY: 3  
 REV. C - SIC - 7/21/2020 - UPDATED WEIGHT RATING NOTE; ADDED SOIL BEARING PRESSURES



MAX AASHTO H-40 RATED - 64,000 LB. SINGLE AXLE LOAD  
 DEPENDENT ON TRENCH COVER RATING  
 MINIMUM ALLOWABLE SOIL BEARING PRESSURE - H-40: 4,000 PSF; H-20: 3,000 PSF

**DRAWN BY:** ROBIN FLINT

**CREATED DATE:** 3/21/2011 **REVISION LEVEL:** C

**SAVED DATE:** 7/21/2020 **SAVED BY:** scallahan

**WEIGHT:** 725 LBS. **MATERIAL:** CONCRETE

**CONCAST**  
 1010 NORTH STAR DRIVE  
 P.O. BOX 69  
 ZUMBROTA, MN 55992-0069

**DESCRIPTION:**  
**HT CHANNEL; 45 DEG. ANGLE**

DIMENSIONS ARE IN INCHES  
 TOLERANCES:  
 FRACTIONAL: ± 1/8"  
 ANGULAR: ± 2°

CONTACT INFORMATION:  
 EMAIL: INFO@CONCASTINC.COM  
 PHONE: (507) 732-4095  
 FAX: (507) 732-4094

SHEET 1 OF 1

**PART NUMBER:**  
**8020HT 45R**