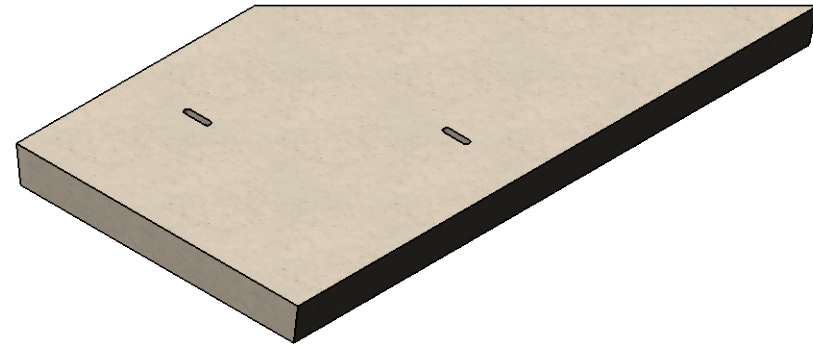
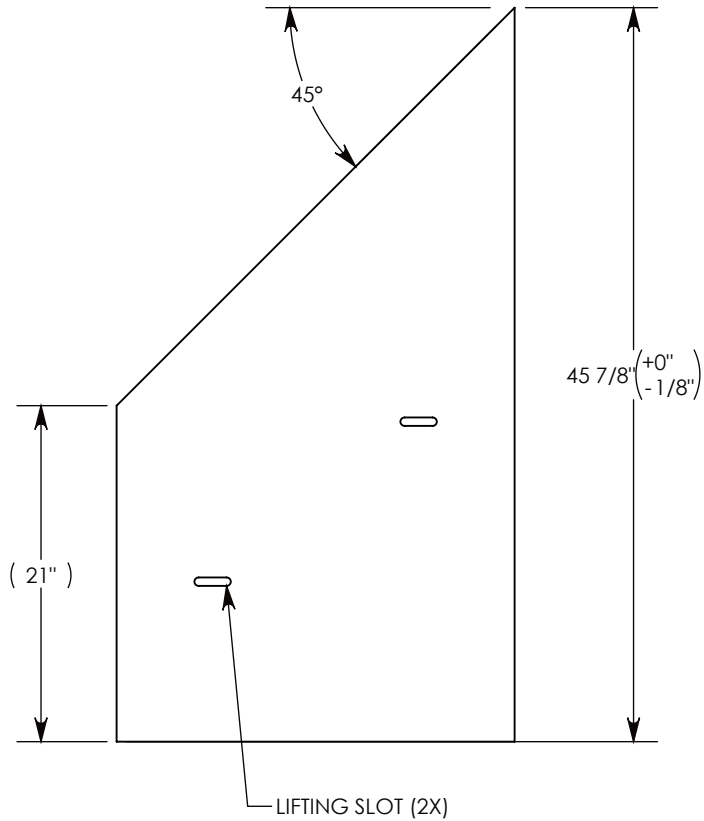
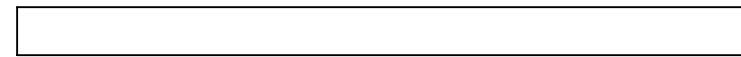
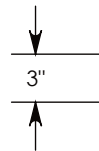
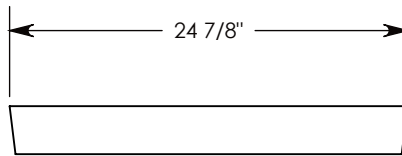


REV A - 2/8/18 - RAL - ADDED RECESS AND THRU HOLE  
 REV B - 10/2/18 - RAL - UPDATED WEIGHT  
 REV C - 8/23/2021 - JCG - REMOVED INSERTS, ADDED LIFTING SLOTS



COVER ASSEMBLES ONTO 20" INSIDE WIDTH  
 HEAVY TRAFFIC RATED CONCAST HT3 CHANNEL



AASHTO H-20 RATED – 32,000 LB. SINGLE AXLE LOAD

DRAWN BY: **JESSE GUTTING**

CREATED DATE: **8/22/2002** REVISION LEVEL: **C**

SAVED DATE: **8/23/2021** SAVED BY: **jgutting**

WEIGHT: **177 LBS.** MATERIAL: **POLYMER**

**CONCAST**  
 1010 NORTH STAR DRIVE  
 P.O. BOX 69  
 ZUMBROTA, MN 55992-0069

DESCRIPTION:  
**HEAVY TRAFFIC COVER**

DIMENSIONS ARE IN INCHES  
 TOLERANCES:  
 FRACTIONAL: ± 1/8"  
 ANGULAR: ± 2°

CONTACT INFORMATION:  
 EMAIL: [INFO@CONCASTINC.COM](mailto:INFO@CONCASTINC.COM)  
 PHONE: (507) 732-4095  
 FAX: (507) 732-4094

SHEET 1 OF 1

PART NUMBER:  
**8021HT3P 45L**