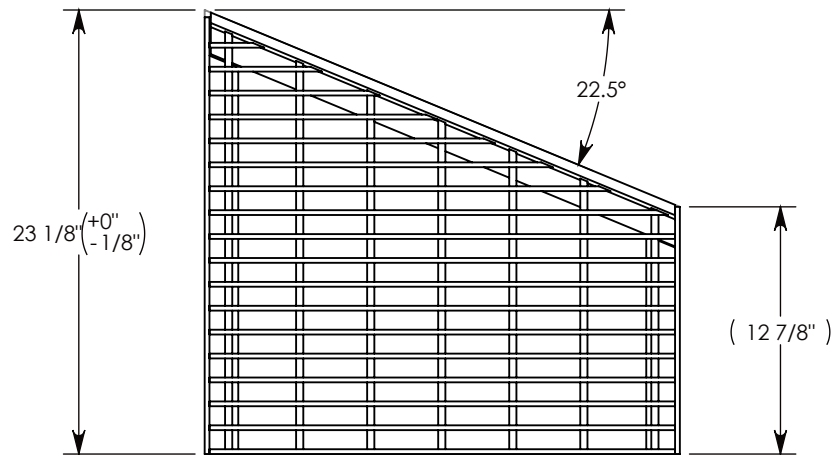
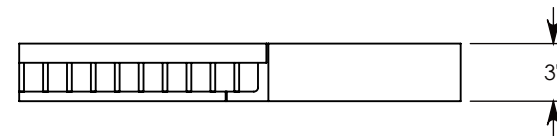
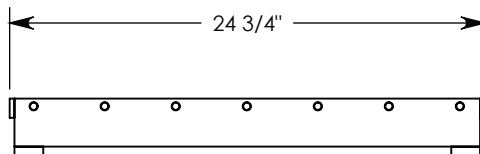
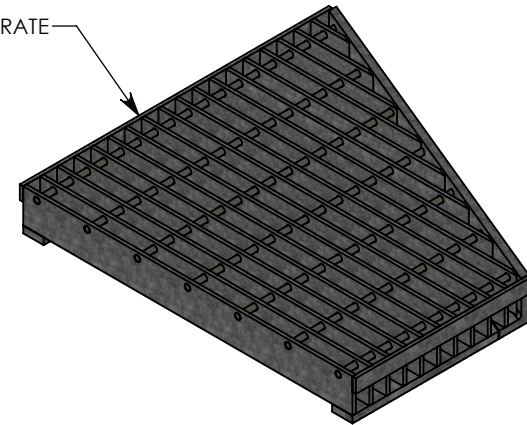


COVER ASSEMBLES ONTO 20" INSIDE WIDTH
HEAVY TRAFFIC H-20 RATED CONCAST HT3 TRENCH



WELDED GALVANIZED STEEL GRATE



NOTE 1: FOR NON-STANDARD LENGTHS, THE PART NUMBER WILL CORRESPOND TO IT'S MEASURED LENGTH. IE: 8021HTSGV 22.5R 22"

AASHTO H-20 RATED – 32,000 LB. SINGLE AXLE LOAD

DRAWN BY: ROSS LAGER		 1010 NORTH STAR DRIVE P.O. BOX 69 ZUMBROTA, MN 55992-0069	DESCRIPTION:		SHEET 1 OF 1
DATE: 1/22/2019	REVISION LEVEL: 0		VENTILATED STEEL COVER - 22.5 DEG. ANGLE		
WEIGHT: 90 LBS.	MATERIAL: GALVANIZED STEEL		DIMENSIONS ARE IN INCHES TOLERANCES: FRACTIONAL: ± 1/8" ANGULAR: ± 2°	CONTACT INFORMATION: EMAIL: INFO@CONCASTINC.COM PHONE: (507) 732-4095 FAX: (507) 732-4094	
		PART NUMBER:		8021HTSGV 22.5R	