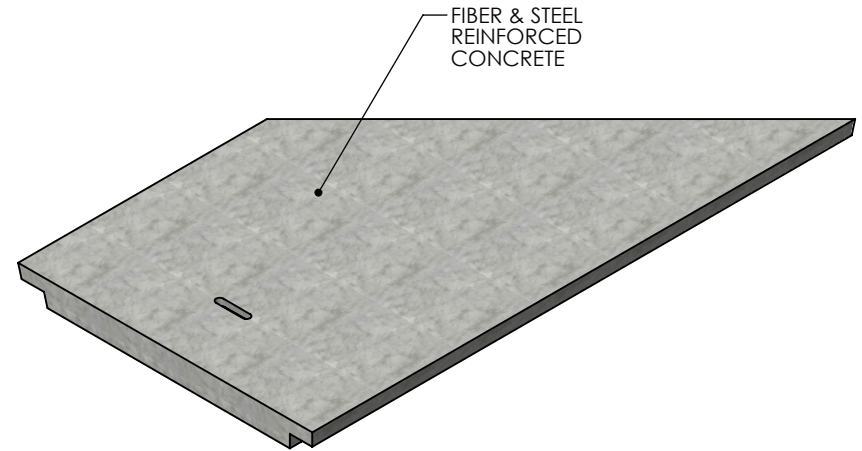
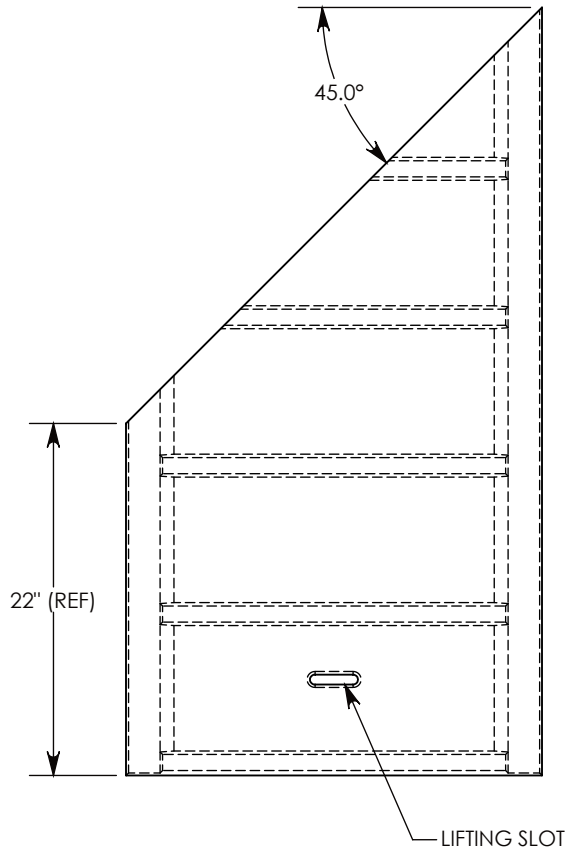
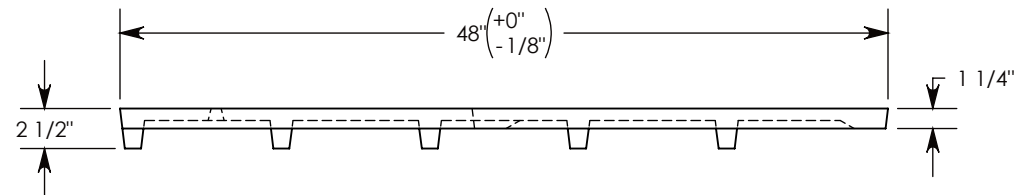
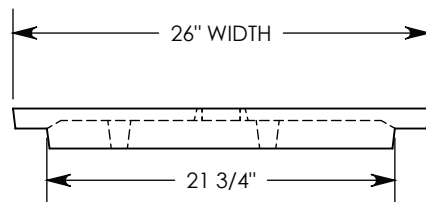


FIBERCRETE[®] TRENCH SYSTEM



COVER ASSEMBLES ONTO 20" INSIDE WIDTH PEDESTRIAN RATED **PT** CONCAST CHANNEL.



NOTE 1: FOR NON-STANDARD LENGTHS, THE PART NUMBER WILL CORRESPOND TO IT'S MEASURED LENGTH. IE: 8021PT 45L 42"

PEDESTRIAN RATED - 200 LB. PER SQ. FOOT

DRAWN BY: ROBIN FLINT

DATE: 10/7/2015

REVISION LEVEL: 0

WEIGHT:

71 LBS.

MATERIAL:

CAST FIBERCRETE

CONCAST
1010 NORTH STAR DRIVE
P.O. BOX 69
ZUMBROTA, MN 55992-0069

DESCRIPTION:

PEDESTRIAN FC COVER 45 DEG. ANGLE

DIMENSIONS ARE IN INCHES
TOLERANCES:
FRACTIONAL: ± 1/8"
ANGULAR: ± 2°

CONTACT INFORMATION:
EMAIL: INFO@CONCASTINC.COM
PHONE: (507) 732-4095
FAX: (507) 732-4094

SHEET 1 OF 1

PART NUMBER:

8021PT 45L