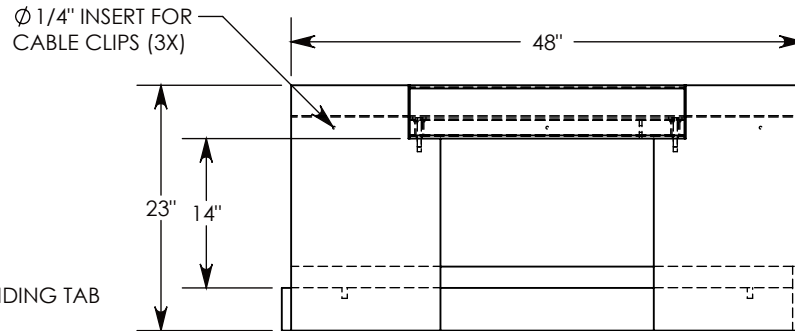
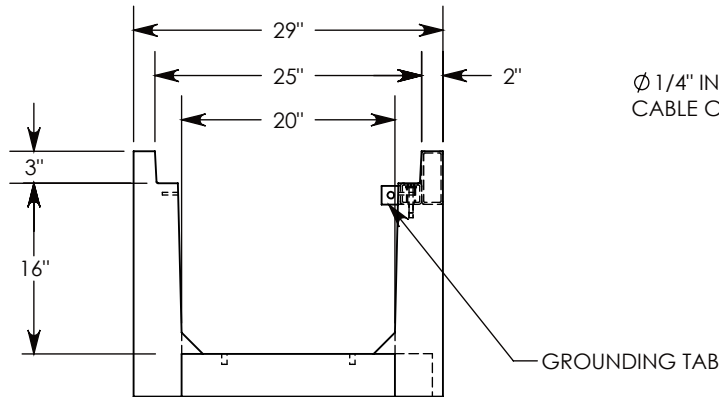
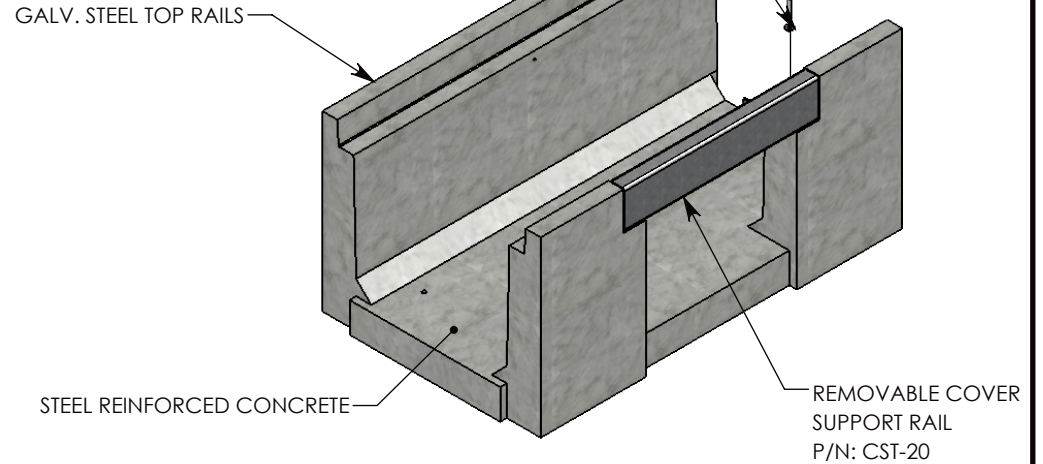


3/8-16 UNC X 2.50" LG HEX HD BOLT, GRADE 8
 P/N: HHB.38-2.5G8 QTY: 2
 3/8" STD WASHER - 1" OD
 P/N: WSR.38-1 QTY: 2



AASHTO H-20 RATED - 32,000 LB. SINGLE AXLE LOAD

DRAWN BY: TOM JANSEN	
CREATED DATE: 7/14/2008	REVISION LEVEL: A
SAVED DATE: 1/28/2020	SAVED BY: scallahan
WEIGHT: 953 LBS.	MATERIAL: NOTED

1010 NORTH STAR DRIVE
 P.O. BOX 69
 ZUMBROTA, MN 55992-0069

DESCRIPTION:
HEAVY TRAFFIC UNIVERSAL CHANNEL

DIMENSIONS ARE IN INCHES TOLERANCES: FRACTIONAL: $\pm 1/8$ " ANGULAR: $\pm 2^\circ$	CONTACT INFORMATION: EMAIL: INFO@CONCASTINC.COM PHONE: (507) 732-4095 FAX: (507) 732-4094	SHEET 1 OF 1
--	--	--------------

PART NUMBER:
802216HT3 (20X0)