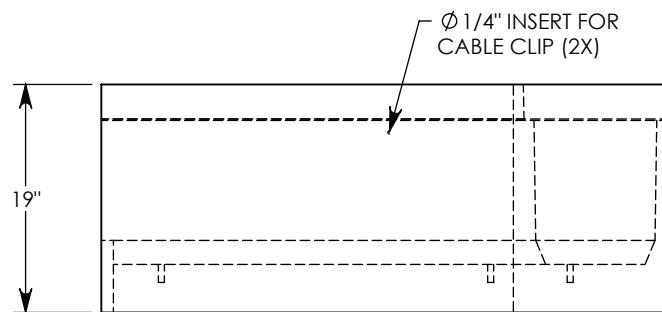
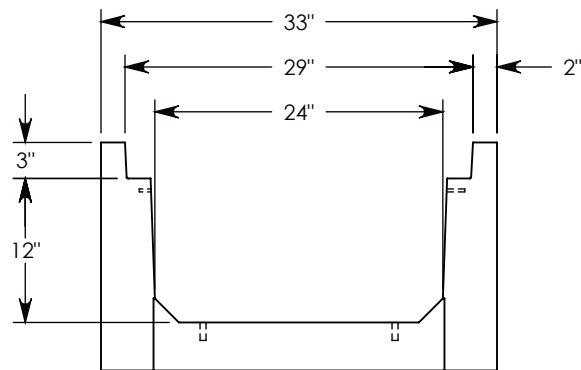
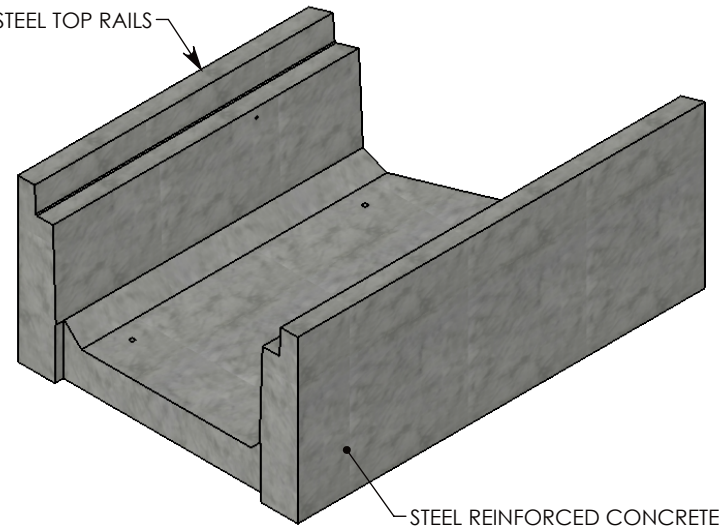


GALV. STEEL TOP RAILS



MAX AASHTO H-40 RATED - 64,000 LB. SINGLE AXLE LOAD  
 DEPENDENT ON TRENCH COVER RATING  
 MINIMUM ALLOWABLE SOIL BEARING PRESSURE - H-40: X,XXX PSF; H-20: X,XXX PSF

<b>DRAWN BY:</b> ROBIN FLINT	
<b>CREATED DATE:</b> 3/21/2011	<b>REVISION LEVEL:</b> A
<b>SAVED DATE:</b> 6/1/2020	<b>SAVED BY:</b> mmlinar
<b>WEIGHT:</b> 844 LBS.	<b>MATERIAL:</b> CONCRETE



**CONCAST**  
 1010 NORTH STAR DRIVE  
 P.O. BOX 69  
 ZUMBROTA, MN 55992-0069

<b>DESCRIPTION:</b> <b>HT CHANNEL; 22.5 DEG. ANGLE</b>		SHEET 1 OF 1
DIMENSIONS ARE IN INCHES TOLERANCES: FRACTIONAL: ± 1/8" ANGULAR: ± 2°	CONTACT INFORMATION: EMAIL: INFO@CONCASTINC.COM PHONE: (507) 732-4095 FAX: (507) 732-4094	
<b>PART NUMBER:</b> 8024HT3 22.5L		