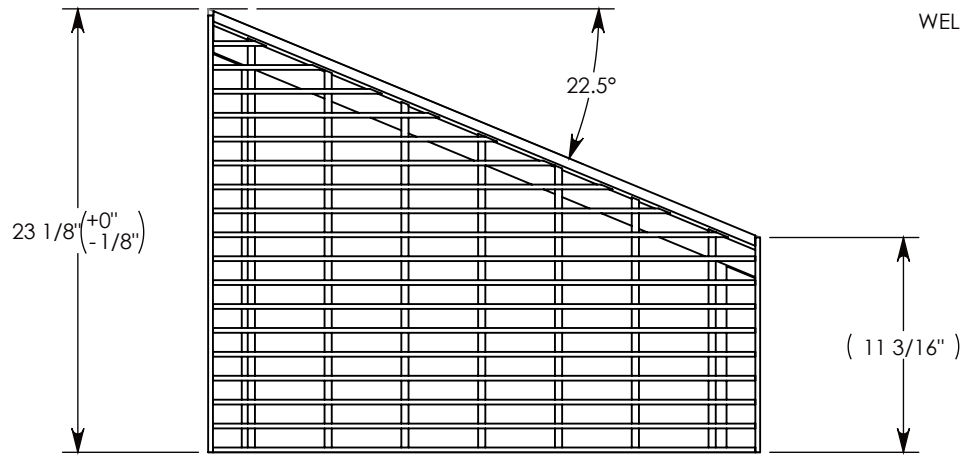
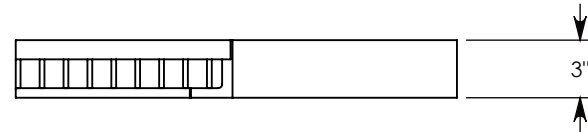
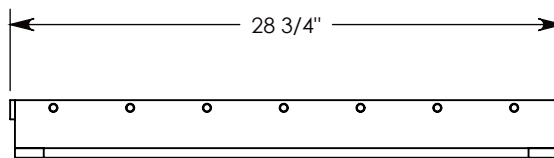
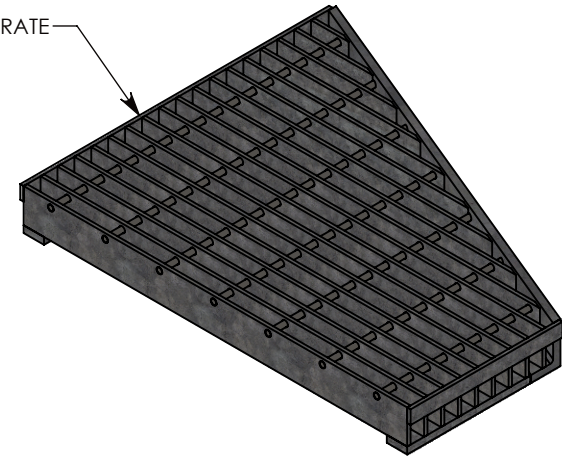


COVER ASSEMBLES ONTO 24" INSIDE WIDTH  
HEAVY TRAFFIC H-20 RATED CONCAST HT3 TRENCH



WELDED GALVANIZED STEEL GRATE



**NOTE 1:** FOR NON-STANDARD LENGTHS, THE PART NUMBER WILL CORRESPOND TO IT'S MEASURED LENGTH. IE: 8024HTSGV 22.5R 22"

AASHTO H-20 RATED – 32,000 LB. SINGLE AXLE LOAD

<b>DRAWN BY: ROSS LAGER</b>	
<b>DATE: 2/6/2019</b>	<b>REVISION LEVEL: 0</b>
<b>WEIGHT: 99 LBS.</b>	<b>MATERIAL: GALVANIZED STEEL</b>



**CONCAST**  
1010 NORTH STAR DRIVE  
P.O. BOX 69  
ZUMBROTA, MN 55992-0069

<b>DESCRIPTION:</b> <b>VENTILATED STEEL COVER - 22.5 DEG. ANGLE</b>		SHEET 1 OF 1
DIMENSIONS ARE IN INCHES TOLERANCES: FRACTIONAL: ± 1/8" ANGULAR: ± 2°	CONTACT INFORMATION: EMAIL: INFO@CONCASTINC.COM PHONE: (507) 732-4095 FAX: (507) 732-4094	
<b>PART NUMBER:</b> <b>8025HTSGV 22.5R</b>		