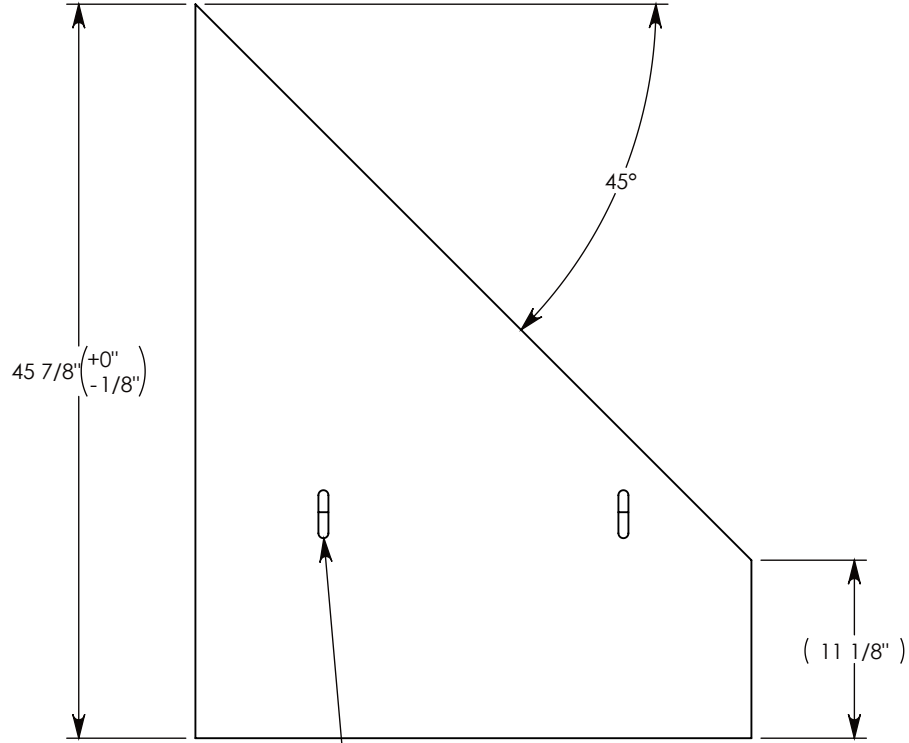
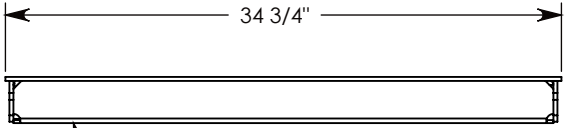


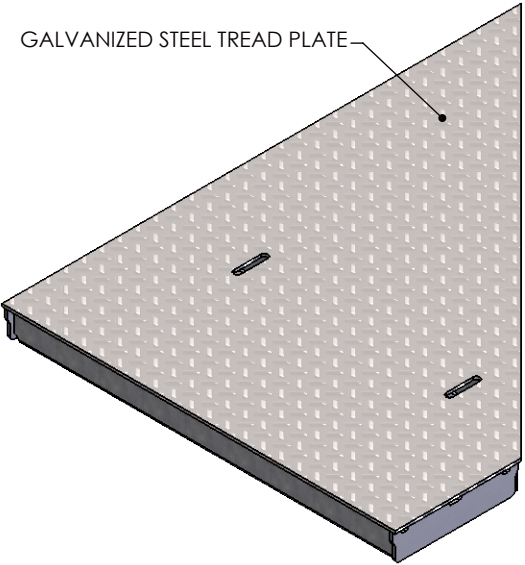
COVER ASSEMBLES ONTO 30" INSIDE WIDTH
HEAVY TRAFFIC H-20 RATED CONCAST CHANNEL.



LIFTING SLOT (2X)



Ø 5/8" GROUNDING HOLES IN BOTTOM



GALVANIZED STEEL TREAD PLATE



NOTE 1: FOR NON-STANDARD LENGTHS, THE PART NUMBER WILL CORRESPOND TO IT'S MEASURED LENGTH. IE: 8031HTSG 45R 18"
NOTE 2: TREAD ON DIAMOND PLATE ADDS 1/8" TO THE OVERALL HEIGHT

AASHTO H-20 RATED – 32,000 LB. SINGLE AXLE LOAD

DRAWN BY: TOM JANSEN	
CREATED DATE: 3/21/2011	REVISION LEVEL: B
SAVED DATE: 1/2/2020	SAVED BY: jgutting
WEIGHT: 150 LBS.	MATERIAL: GALVANIZED STEEL



1010 NORTH STAR DRIVE
P.O. BOX 69
ZUMBROTA, MN 55992-0069

DESCRIPTION: H-20 GALV. STEEL 45 DEGREE COVER		SHEET 1 OF 2
DIMENSIONS ARE IN INCHES TOLERANCES: FRACTIONAL: ± 1/8" ANGULAR: ± 2°	CONTACT INFORMATION: EMAIL: INFO@CONCASTINC.COM PHONE: (507) 732-4095 FAX: (507) 732-4094	
PART NUMBER: 8031HTSG 45R		