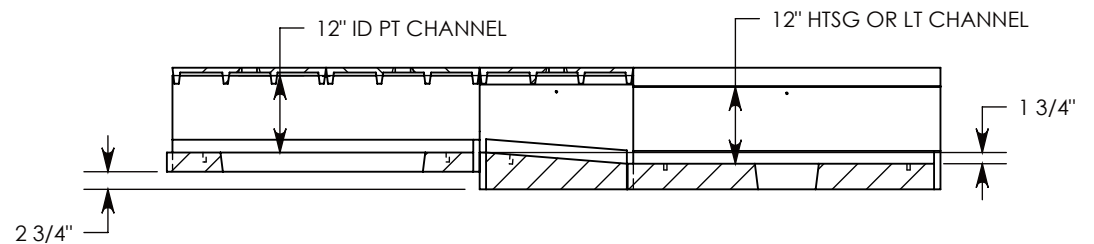
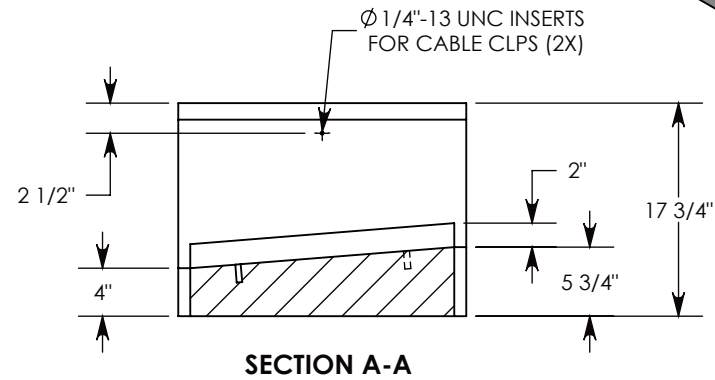
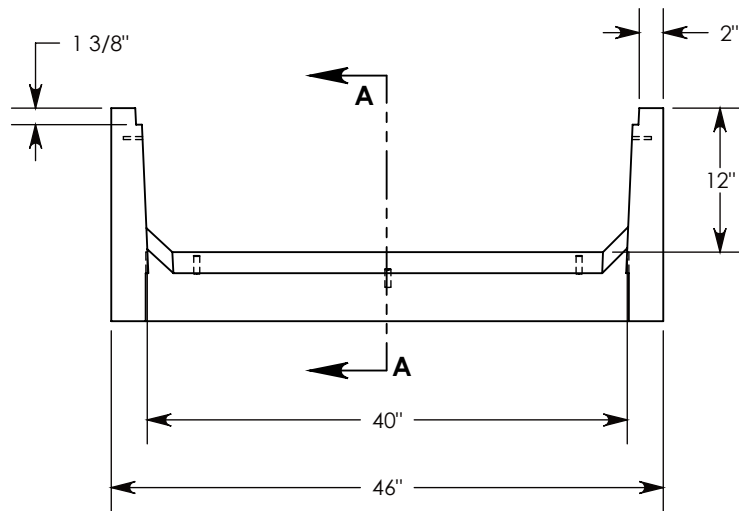
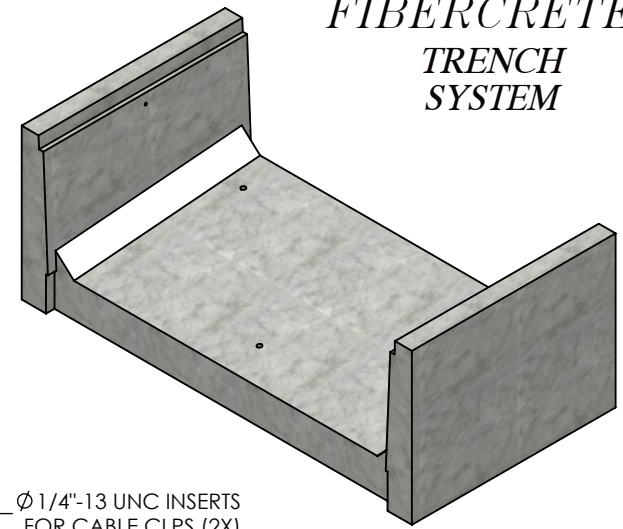
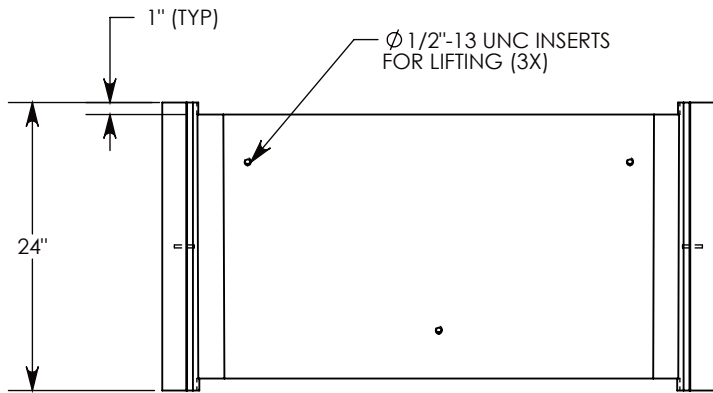


**FIBERCRETE<sup>®</sup>**  
**TRENCH SYSTEM**



**NOTE 1:** PEDESTRIAN RATED - 200 LB. PER SQ. FOOT

**DRAWN BY:** ROBIN FLINT

**DATE:** 1/26/2015

**REVISION LEVEL:** 0

**WEIGHT:**

**554 LBS.**

**MATERIAL:**

**CONCRETE**

**CONCAST**  
 1010 NORTH STAR DRIVE  
 P.O. BOX 69  
 ZUMBROTA, MN 55992-0069

**DESCRIPTION:**

**PT TRANSITION CHANNEL TO HTSG OR LT**

DIMENSIONS ARE IN INCHES  
 TOLERANCES:  
 FRACTIONAL:  $\pm 1/8$ "  
 ANGULAR:  $\pm 2^\circ$

CONTACT INFORMATION:  
 EMAIL: INFO@CONCASTINC.COM  
 PHONE: (507) 732-4095  
 FAX: (507) 732-4094

SHEET 1 OF 1

**PART NUMBER:**

**8040PTRT2**