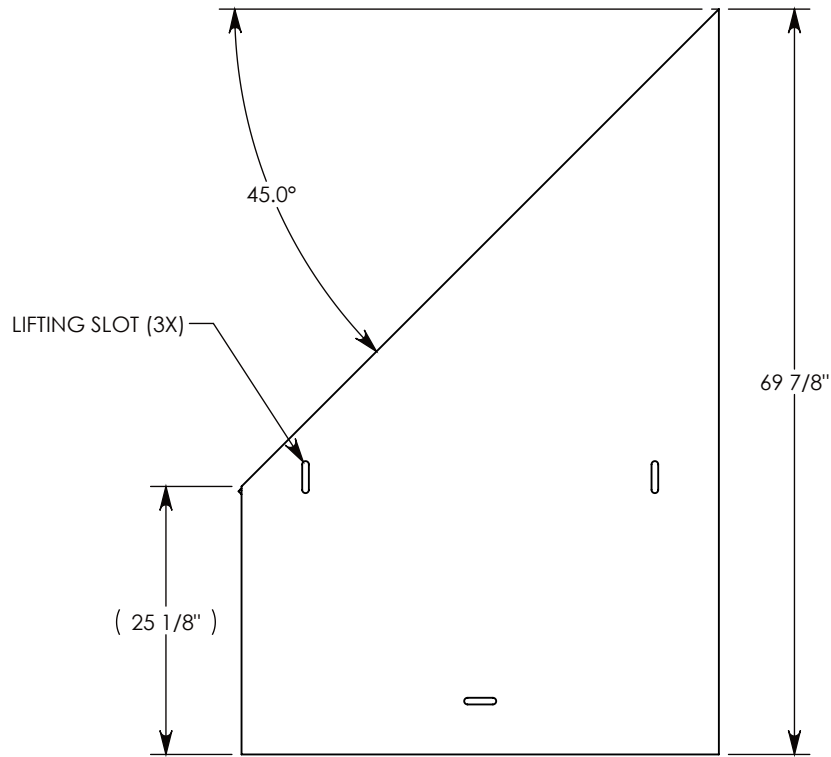
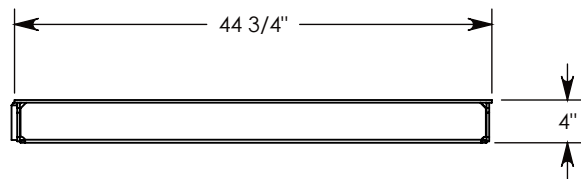
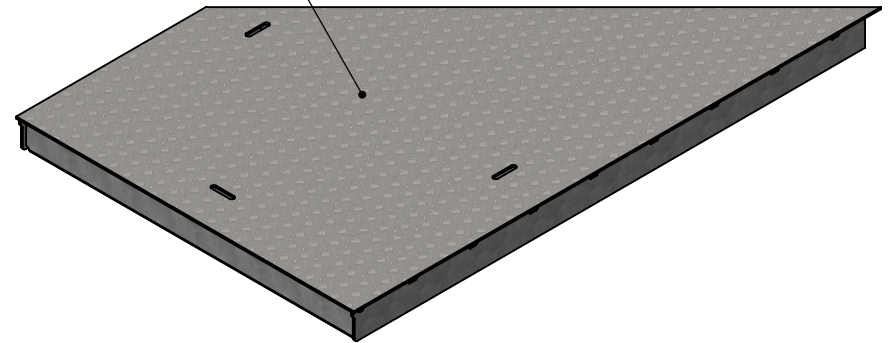


COVER ASSEMBLES ONTO 40" INSIDE WIDTH  
HEAVY TRAFFIC H-20 RATED CONCAST CHANNEL



GALVANIZED STEEL TREAD PLATE



NOTE 1:  $\varnothing$  5/8" GROUNDING HOLES IN BOTTOM OF STEEL CHANNELS

AASHTO H-20 RATED – 32,000 LB. SINGLE AXLE LOAD

DRAWN BY: TOM JANSEN

DATE: 8/27/2018

REVISION LEVEL: 0

WEIGHT:

362 LBS.

MATERIAL:

GALVANIZED STEEL



1010 NORTH STAR DRIVE  
P.O. BOX 69  
ZUMBROTA, MN 55992-0069

DESCRIPTION:

**H-20 GALV STEEL; 45 DEGREE ANGLE**

DIMENSIONS ARE IN INCHES  
TOLERANCES:  
FRACTIONAL:  $\pm$  1/8"  
ANGULAR:  $\pm$  2°

CONTACT INFORMATION:  
EMAIL: INFO@CONCASTINC.COM  
PHONE: (507) 732-4095  
FAX: (507) 732-4094

SHEET 1 OF 2

PART NUMBER:

**8041HT4SG 45L**