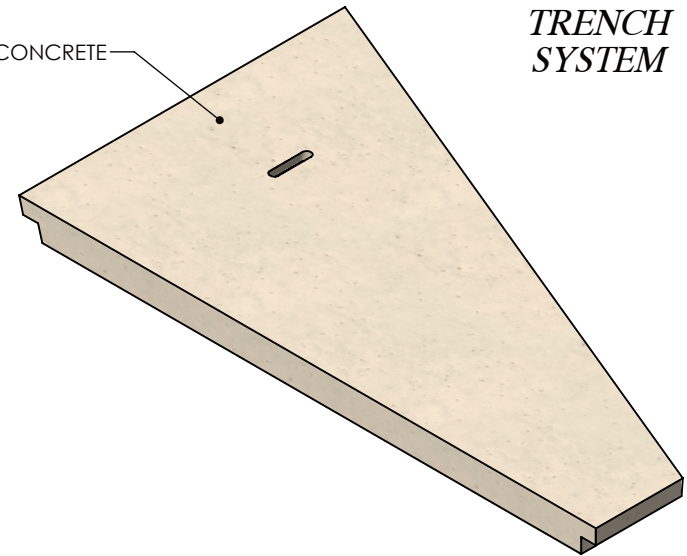
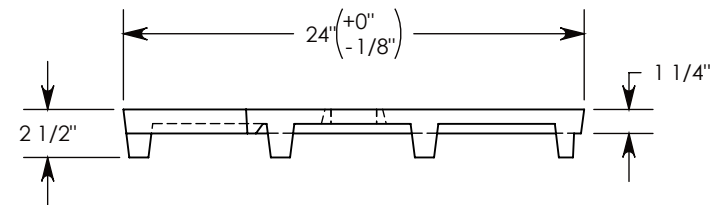
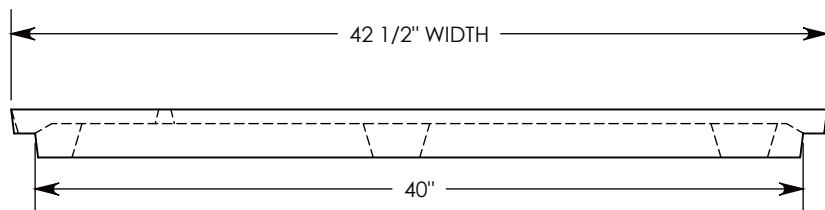
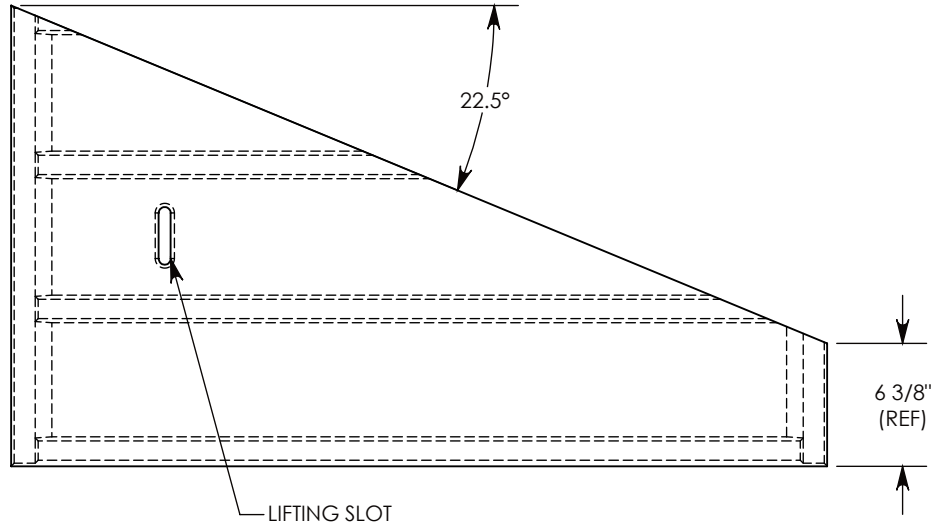


FIBERCRETE[®]
TRENCH
SYSTEM

POLYMER CONCRETE



COVER ASSEMBLES ONTO 40" INSIDE WIDTH PEDESTRIAN RATED CONCAST CHANNEL.



PEDESTRIAN RATED - 200 LB. PER SQ. FOOT

DRAWN BY: ROBIN FLINT

DATE: 10/6/2015

REVISION LEVEL: 0

WEIGHT:

50 LBS.

MATERIAL:

POLYMER CONCRETE

CONCAST
 1010 NORTH STAR DRIVE
 P.O. BOX 69
 ZUMBROTA, MN 55992-0069

DESCRIPTION:

PEDESTRIAN FC COVER 22.5 DEG. ANGLE

DIMENSIONS ARE IN INCHES
 TOLERANCES:
 FRACTIONAL: ± 1/8"
 ANGULAR: ± 2°

CONTACT INFORMATION:
 EMAIL: INFO@CONCASTINC.COM
 PHONE: (507) 732-4095
 FAX: (507) 732-4094

SHEET 1 OF 1

PART NUMBER:

8041P 22.5R