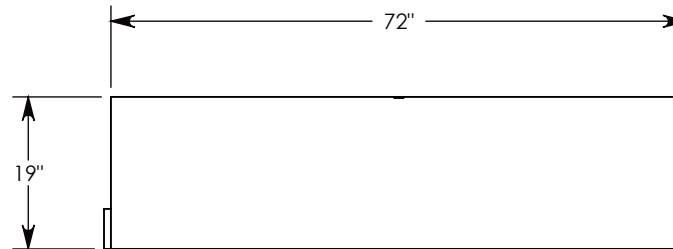
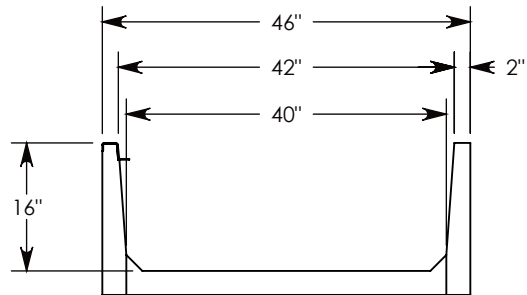
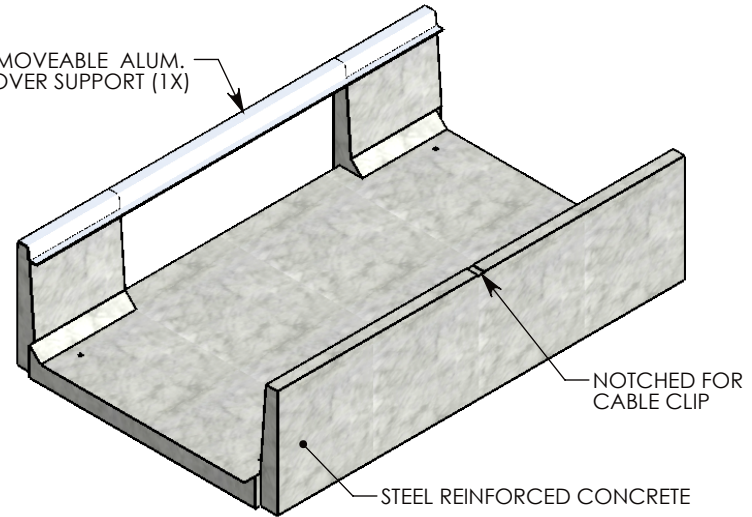


REMOVEABLE ALUM.
COVER SUPPORT (1X)



PEDESTRIAN RATED - 200 LB. PER SQ. FOOT

DRAWN BY: SAMUEL CALLAHAN

CREATED DATE: 9/11/2019 **REVISION LEVEL:** 0

SAVED DATE: 9/11/2019 **SAVED BY:** scallahan

WEIGHT: 1172 LBS. **MATERIAL:** CONCRETE

CONCAST
1010 NORTH STAR DRIVE
P.O. BOX 69
ZUMBROTA, MN 55992-0069

DESCRIPTION:

PEDESTRIAN UNIVERSAL CHANNEL

DIMENSIONS ARE IN INCHES
TOLERANCES:
FRACTIONAL: ± 1/8"
ANGULAR: ± 2°

CONTACT INFORMATION:
EMAIL: INFO@CONCASTINC.COM
PHONE: (507) 732-4095
FAX: (507) 732-4094

SHEET 1 OF 1

PART NUMBER:

804216PT (0X40)