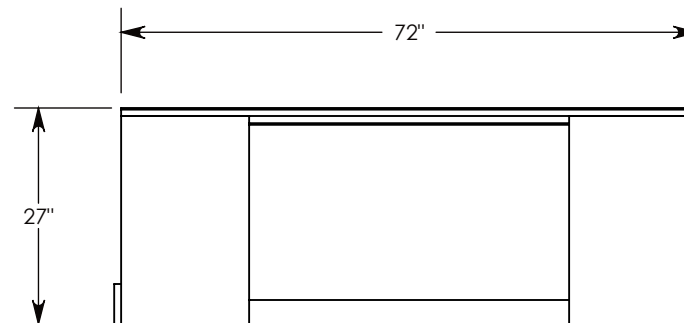
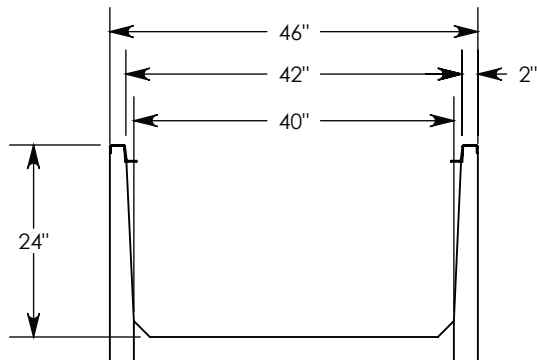
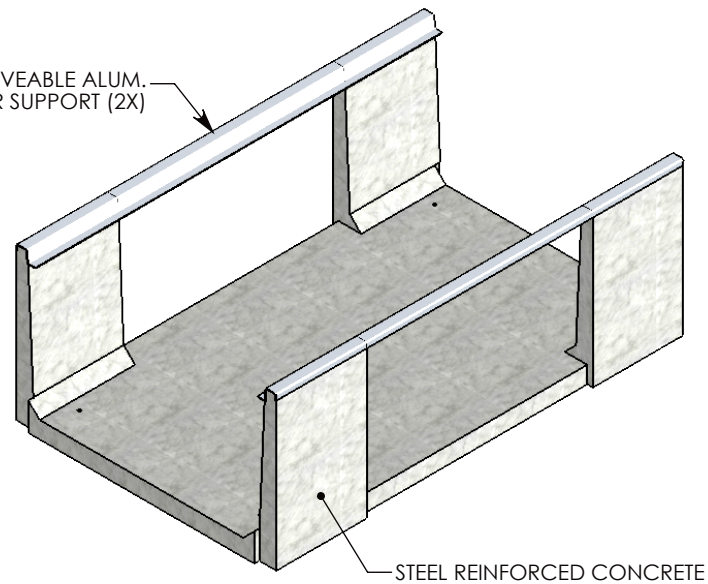


REMOVEABLE ALUM.  
COVER SUPPORT (2X)



PEDESTRIAN RATED - 200 LB. PER SQ. FOOT

<b>DRAWN BY:</b> ROSS LAGER	
<b>CREATED DATE:</b> 3/11/2002	<b>REVISION LEVEL:</b> A
<b>SAVED DATE:</b> 9/12/2019	<b>SAVED BY:</b> scallahan
<b>WEIGHT:</b> 1183 LBS.	<b>MATERIAL:</b> CONCRETE



**CONCAST**  
1010 NORTH STAR DRIVE  
P.O. BOX 69  
ZUMBROTA, MN 55992-0069

<b>DESCRIPTION:</b> <b>PEDESTRIAN UNIVERSAL CHANNEL</b>		SHEET 1 OF 1
DIMENSIONS ARE IN INCHES TOLERANCES: FRACTIONAL: ± 1/8" ANGULAR: ± 2°	CONTACT INFORMATION: EMAIL: INFO@CONCASTINC.COM PHONE: (507) 732-4095 FAX: (507) 732-4094	
<b>PART NUMBER:</b> <b>804224PT (40X40)</b>		