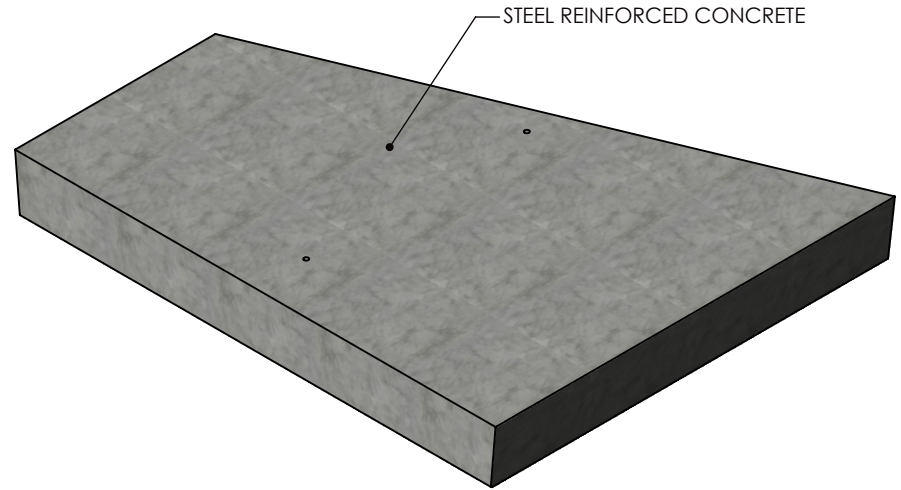
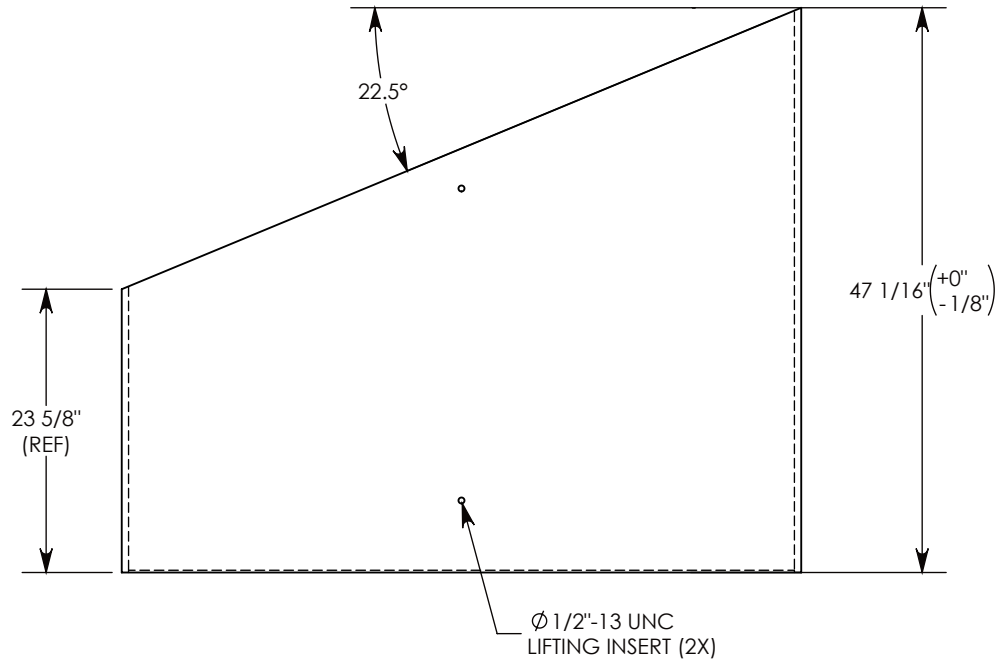


FIBERCRETE[®]
TRENCH
SYSTEM



COVER ASSEMBLES ONTO 50" INSIDE WIDTH HEAVY TRAFFIC RATED CONCAST HT CHANNEL.

H-20 RATED - 32,000 LB. PER AXLE LOAD

DRAWN BY: JESSE GUTTING

DATE: 10/28/2015

REVISION LEVEL: 0

WEIGHT:

1054 LBS.

MATERIAL:

CONCRETE



1010 NORTH STAR DRIVE
P.O. BOX 69
ZUMBROTA, MN 55992-0069

DESCRIPTION:

HEAVY TRAFFIC COVER - 22.5 DEG. ANGLE

DIMENSIONS ARE IN INCHES
TOLERANCES:
FRACTIONAL: ± 1/8"
ANGULAR: ± 2°

CONTACT INFORMATION:
EMAIL: INFO@CONCASTINC.COM
PHONE: (507) 732-4095
FAX: (507) 732-4094

SHEET 1 OF 1

PART NUMBER:

8051HT 22.5L