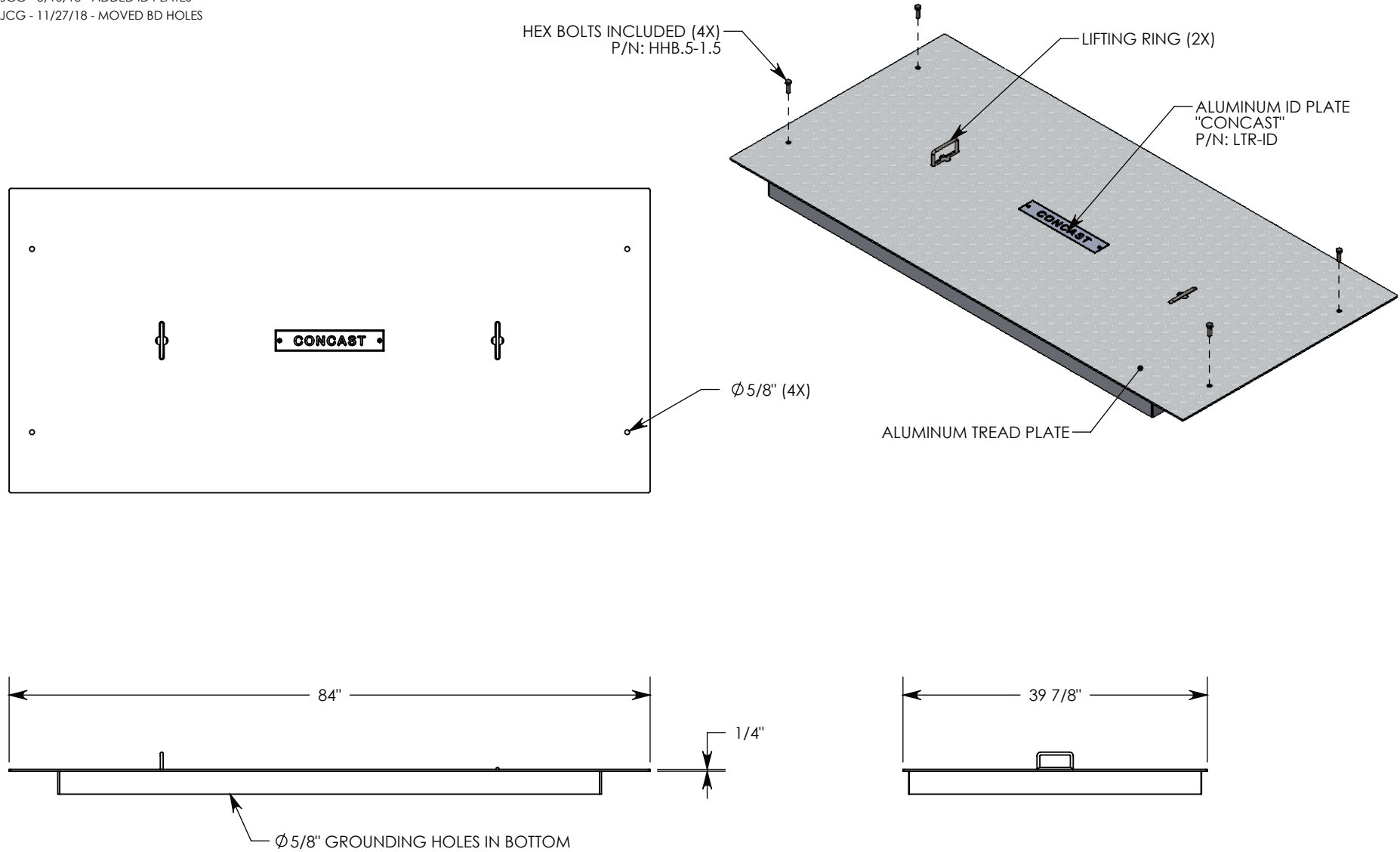


REV. A - JCG - 3/19/18 - ADDED BD HOLES & BOLTS
 REV. B - JCG - 5/10/18 - ADDED ID PLATES
 REV. C - JCG - 11/27/18 - MOVED BD HOLES

COVER ASSEMBLES ONTO
 AN 84" X 120" CONCAST PULL BOX



NOTE 1: FOR ADDED SECURITY, PENTA HEAD BOLTS (P/N: PTA.5-1.5) CAN BE ADDED

PEDESTRIAN RATED - 200 LB. PER SQ. FOOT

DRAWN BY: JESSE GUTTING	
CREATED DATE: 4/9/2009	REVISION LEVEL: C
SAVED DATE: 12/5/2019	SAVED BY: JGUTTING
WEIGHT: 144 LBS.	MATERIAL: WELDED ALUMINUM



CONCAST
 1010 NORTH STAR DRIVE
 P.O. BOX 69
 ZUMBROTA, MN 55992-0069

DESCRIPTION: ALUMINUM PULL BOX CENTER COVER		SHEET 1 OF 2
DIMENSIONS ARE IN INCHES TOLERANCES: FRACTIONAL: ± 1/8" ANGULAR: ± 2°	CONTACT INFORMATION: EMAIL: INFO@CONCASTINC.COM PHONE: (507) 732-4095 FAX: (507) 732-4094	
PART NUMBER: 84-40-A-CTR		