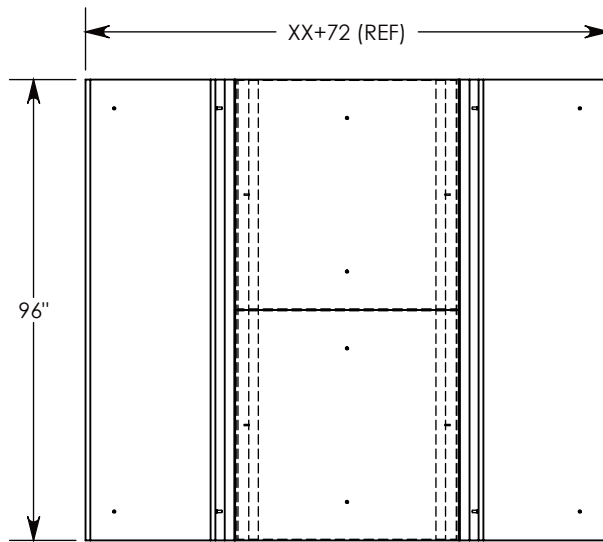
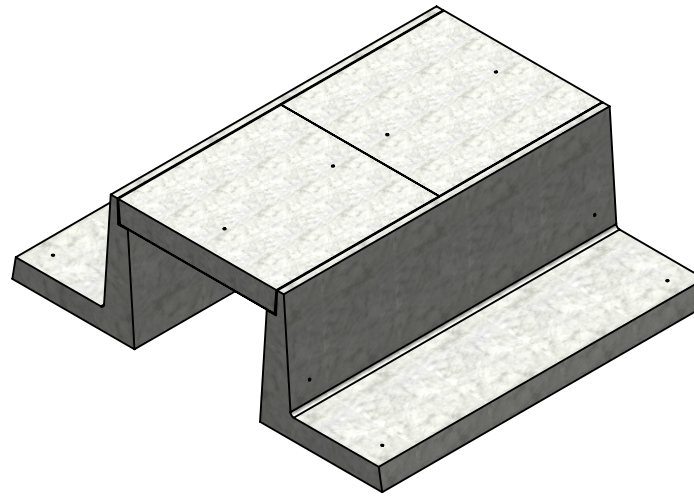


COVER SIZING CROSS-REFERENCE

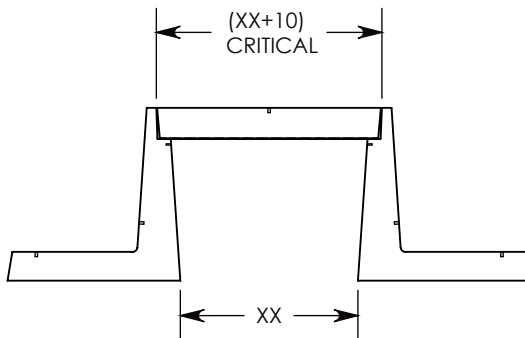
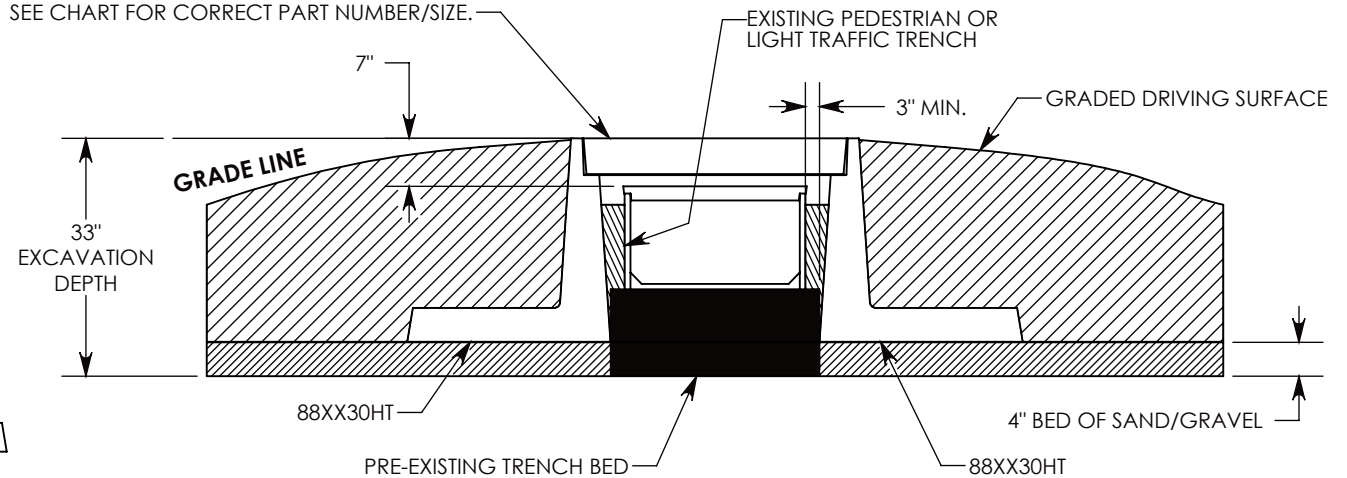
| XX | COVER PART NUMBER | COVER WIDTH |
|-----|-------------------|-------------|
| 7" | 8011HT | 16.63" |
| 17" | 8021HT | 26.63" |
| 21" | 8025HT | 30.63" |
| 27" | 8031HT | 36.63" |
| 37" | 8041HT | 46.63" |
| 47" | 8051HT | 56.63" |

RETROFIT CHANNELS CAN BE USED TO HOUSE & PROTECT EXISTING CHANNEL FROM DRIVE-OVER DAMAGE.

THEY CAN ALSO BE USED TO SHORE UP DAMAGED OR DETERIORATING TRENCH CHANNEL.



CONCAST H2O RATED CONCRETE COVER
SEE CHART FOR CORRECT PART NUMBER/SIZE.



H2O RATED - 32,000 LB. PER AXLE LOAD.

DRAWN BY: ROBIN FLINT

DATE: 2/5/2016

REVISION LEVEL: A

WEIGHT:

--LBS.

MATERIAL:

CONCRETE



1010 NORTH STAR DRIVE
P.O. BOX 69
ZUMBROTA, MN 55992-0069

DESCRIPTION:

RETROFIT CHANNEL ASSEMBLY

DIMENSIONS ARE IN INCHES
TOLERANCES:
FRACTIONAL: ± 1/8"
ANGULAR: ± 2°

CONTACT INFORMATION:
EMAIL: INFO@CONCASTINC.COM
PHONE: (507) 732-4095
FAX: (507) 732-4094

SHEET 1 OF 1

PART NUMBER:

88XX30HT REF