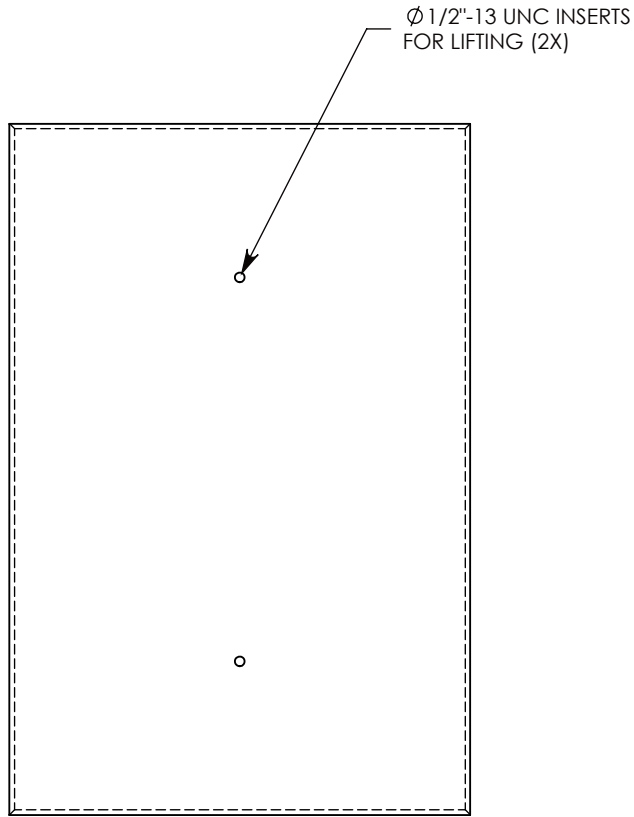
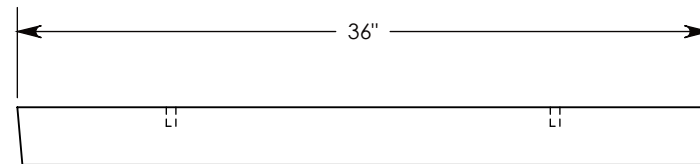
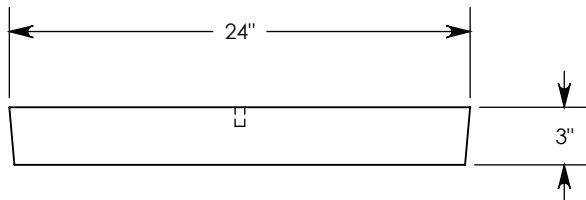
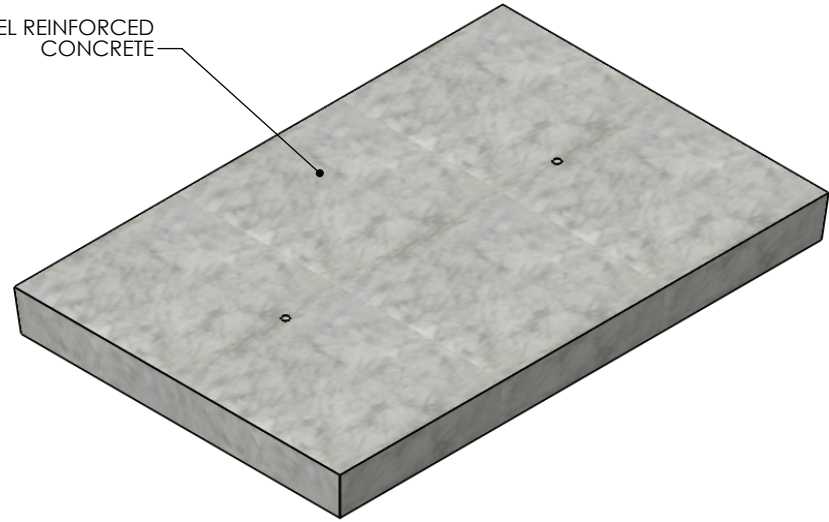


FIBERCRETE[®]
TRENCH
SYSTEM



STEEL REINFORCED CONCRETE



H10 RATED - 16,000 LB. PER AXLE LOAD. WHEN 24" WIDTH SPANS A TRENCH CHANNEL
 PEDESTRIAN RATED - 200 LB. PER SQ. FOOT WHEN 36" LENGTH SPANS A TRENCH CHANNEL

DRAWN BY: ROBIN FLINT

DATE: 12/4/2013

REVISION LEVEL: 0

WEIGHT:

208 LBS.

MATERIAL:

CONCRETE



1010 NORTH STAR DRIVE
 P.O. BOX 69
 ZUMBROTA, MN 55992-0069

DESCRIPTION:

CONCRETE COVER

DIMENSIONS ARE IN INCHES
 TOLERANCES:
 FRACTIONAL: ± 1/8"
 ANGULAR: ± 2°

CONTACT INFORMATION:
 EMAIL: INFO@CONCASTINC.COM
 PHONE: (507) 732-4095
 FAX: (507) 732-4094

SHEET 1 OF 1

PART NUMBER:

C2436-3