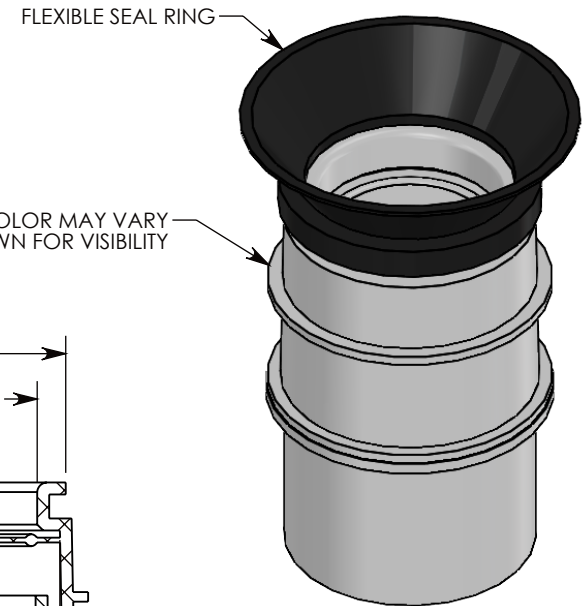


**SECTION A-A
SEAL RING HIDDEN**



TERMINATOR COLOR MAY VARY
GRAY SHOWN FOR VISIBILITY

VENDOR: LEVIAT/MEADOWBURKE
VENDOR NO: T2434

NOTE 1: FOR USE WITH 2" ID SCHEDULE 40 PVC CONDUIT.

NOTE 2: ACTUAL PRODUCT APPEARANCE MAY VARY. DIMENSIONS SHOWN ARE APPROXIMATE

DRAWN BY: SAMUEL CALLAHAN	
CREATED DATE: 11/20/2023	REVISION LEVEL: 0
SAVED DATE: 11/20/2023	SAVED BY: scallahan
WEIGHT: 0.3 LBS.	MATERIAL: PLASTIC



1010 NORTH STAR DRIVE
P.O. BOX 69
ZUMBROTA, MN 55992-0069

DESCRIPTION: 2" DUCT TERMINATOR		SHEET 1 OF 1
DIMENSIONS ARE IN INCHES TOLERANCES: FRACTIONAL: ± 1/8" ANGULAR: ± 2°	CONTACT INFORMATION: EMAIL: INFO@CONCASTINC.COM PHONE: (507) 732-4095 FAX: (507) 732-4094	
PART NUMBER: CD-25		