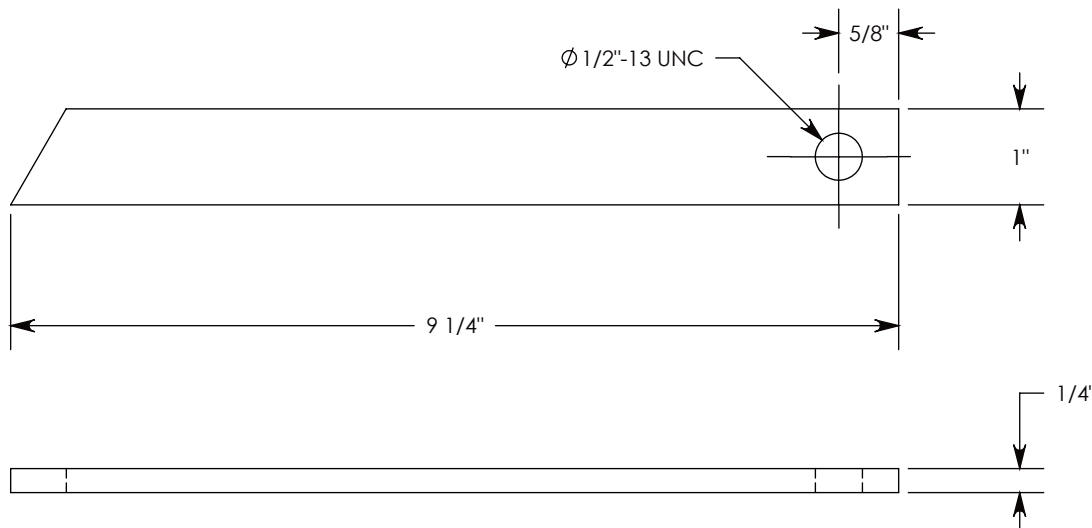
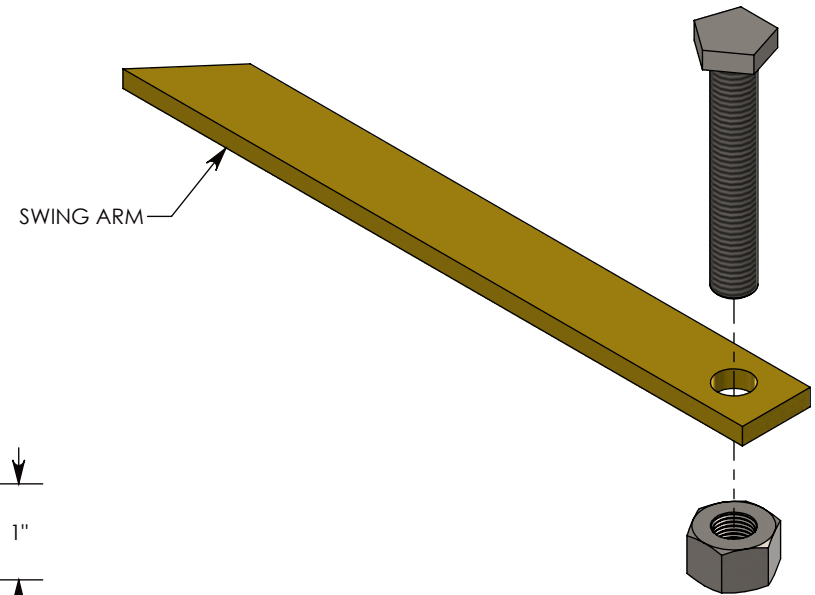


ITEM NO.	PART NUMBER	DESCRIPTION	QTY.
1	CHC-1.B	COVER HOLD-DOWN BAR	1
2	LK-NUT-.5	1/2-13 UNC NYLOCK NUT	1
3	PTA.5-3	1/2-13 UNC X 3" LG PENTA HD BOLT	1



NOTE 1: HARDWARE IS INCLUDED

DRAWN BY: ROBIN FLINT

DATE: 1/8/2016

REVISION LEVEL: A

WEIGHT:

1 LBS.

MATERIAL:

YELLOW ZINC-PLATED STEEL



DESCRIPTION:

COVER HOLD-DOWN CLAMP

DIMENSIONS ARE IN INCHES
TOLERANCES:
FRACTIONAL: $\pm 1/8"$
ANGULAR: $\pm 2^\circ$

CONTACT INFORMATION:
EMAIL: INFO@CONCASTINC.COM
PHONE: (507) 732-4095
FAX: (507) 732-4094

SHEET 1 OF 1

PART NUMBER:

CHC-1