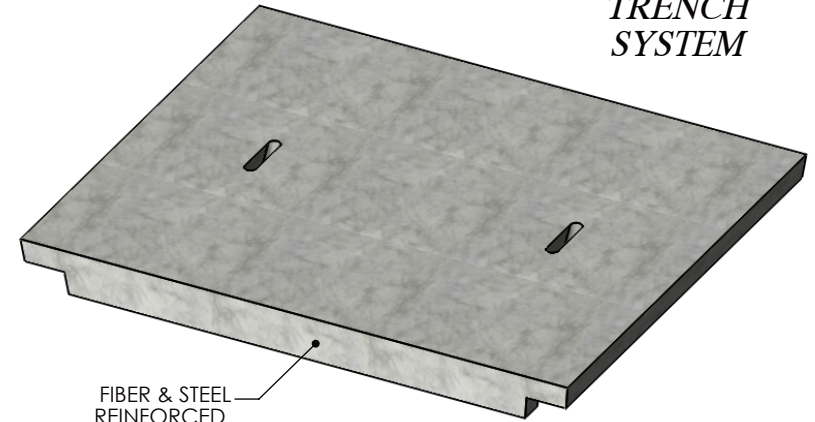
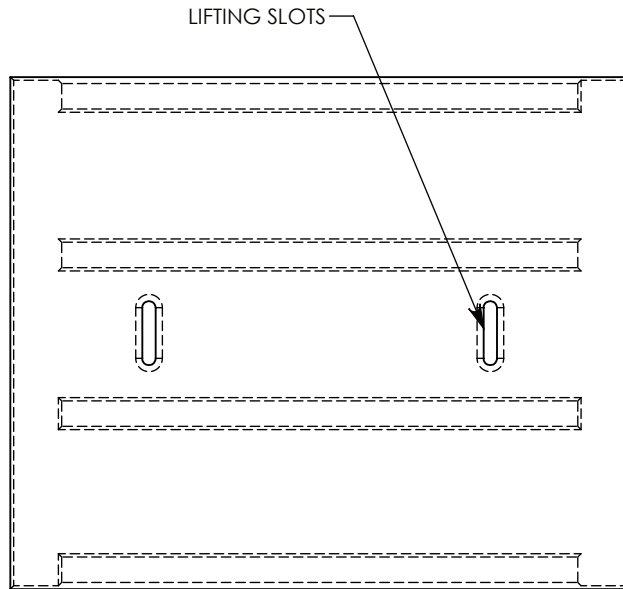
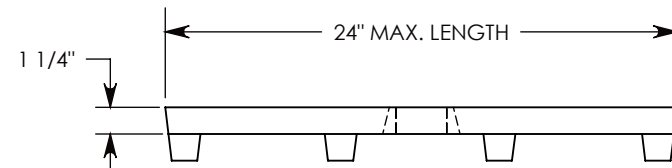
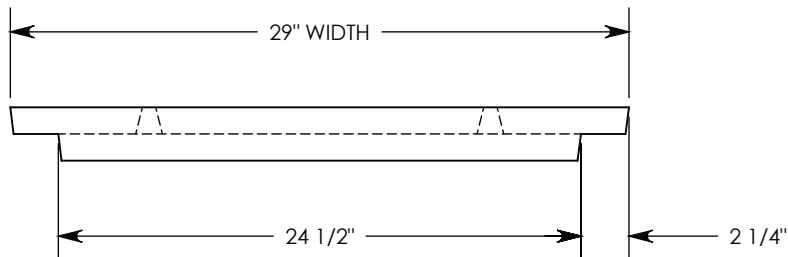


FIBERCRETE[®]
TRENCH
SYSTEM



COVER DESIGNED TO FIT A 20" INSIDE WIDTH
 LIGHT TRAFFIC RATED CONCAST CHANNEL



PEDESTRIAN RATED - 200 LB. PER SQ. FOOT

DRAWN BY: ROBIN FLINT

DATE: 11/27/2013

REVISION LEVEL: 0

WEIGHT:

76 LBS.

MATERIAL:

CAST FIBERCRETE

CONCAST
 1010 NORTH STAR DRIVE
 P.O. BOX 69
 ZUMBROTA, MN 55992-0069

DESCRIPTION:

PEDESTRIAN TRENCH COVER

DIMENSIONS ARE IN INCHES
 TOLERANCES:
 FRACTIONAL: ± 1/8"
 ANGULAR: ± 2°

CONTACT INFORMATION:
 EMAIL: INFO@CONCASTINC.COM
 PHONE: (507) 732-4095
 FAX: (507) 732-4094

SHEET 1 OF 1

PART NUMBER:

F2924 (24.5)