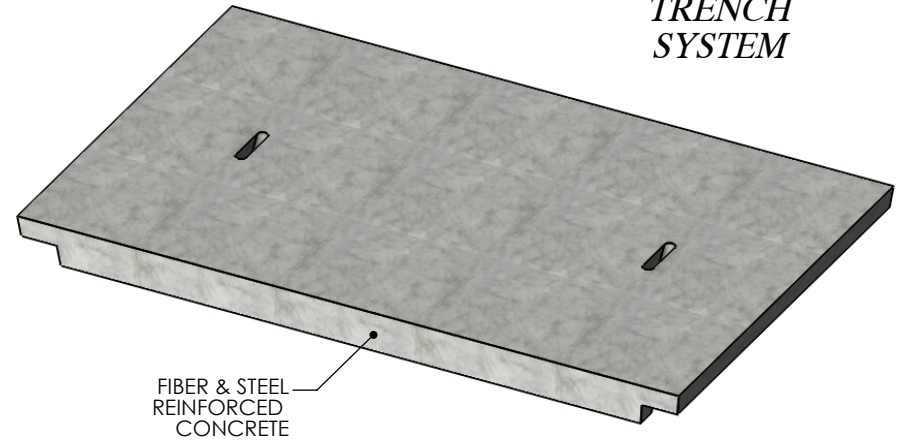
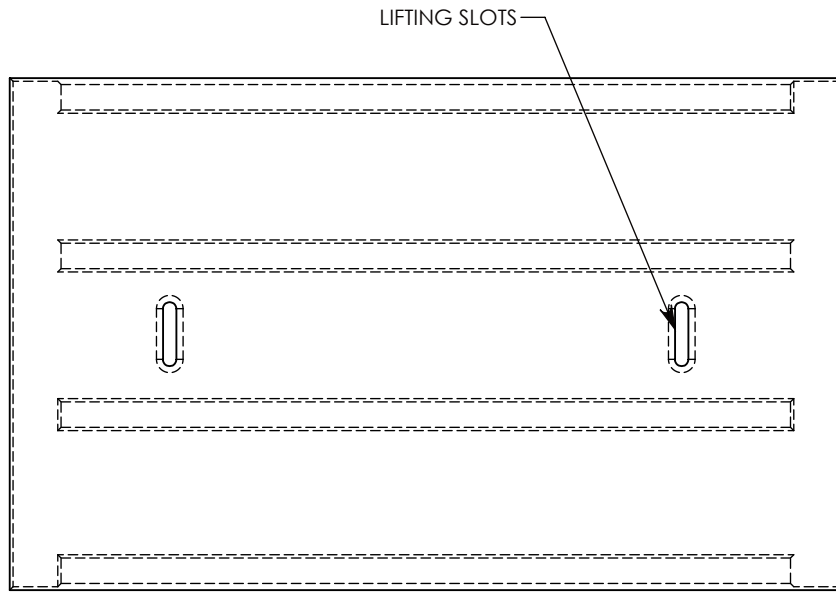
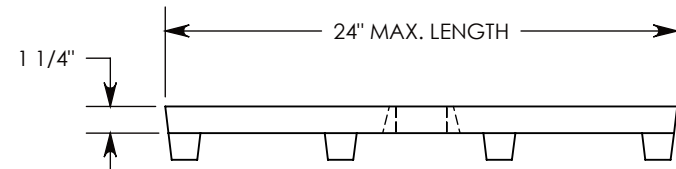
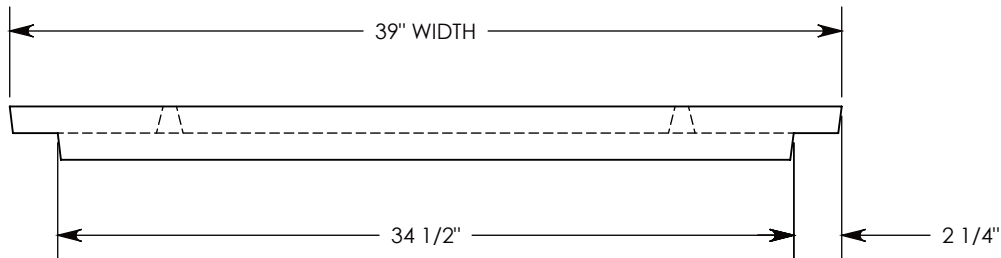


**FIBERCRETE<sup>®</sup>**  
**TRENCH**  
**SYSTEM**



COVER DESIGNED TO FIT A 30" INSIDE WIDTH  
 LIGHT TRAFFIC RATED CONCAST CHANNEL



PEDESTRIAN RATED - 200 LB. PER SQ. FOOT

**DRAWN BY: ROBIN FLINT**

**DATE: 11/27/2013**

**REVISION LEVEL: 0**

**WEIGHT:**

**104 LBS.**

**MATERIAL:**

**CAST FIBERCRETE**



**DESCRIPTION:**

**PEDESTRIAN TRENCH COVER**

DIMENSIONS ARE IN INCHES  
 TOLERANCES:  
 FRACTIONAL: ± 1/8"  
 ANGULAR: ± 2°

CONTACT INFORMATION:  
 EMAIL: INFO@CONCASTINC.COM  
 PHONE: (507) 732-4095  
 FAX: (507) 732-4094

SHEET 1 OF 1

**PART NUMBER:**

**F3924 (34.5)**