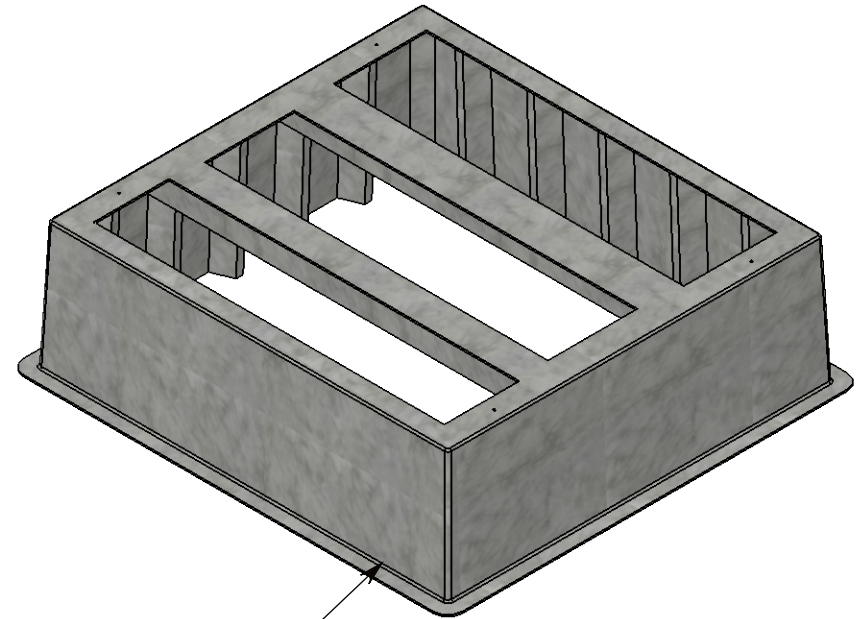
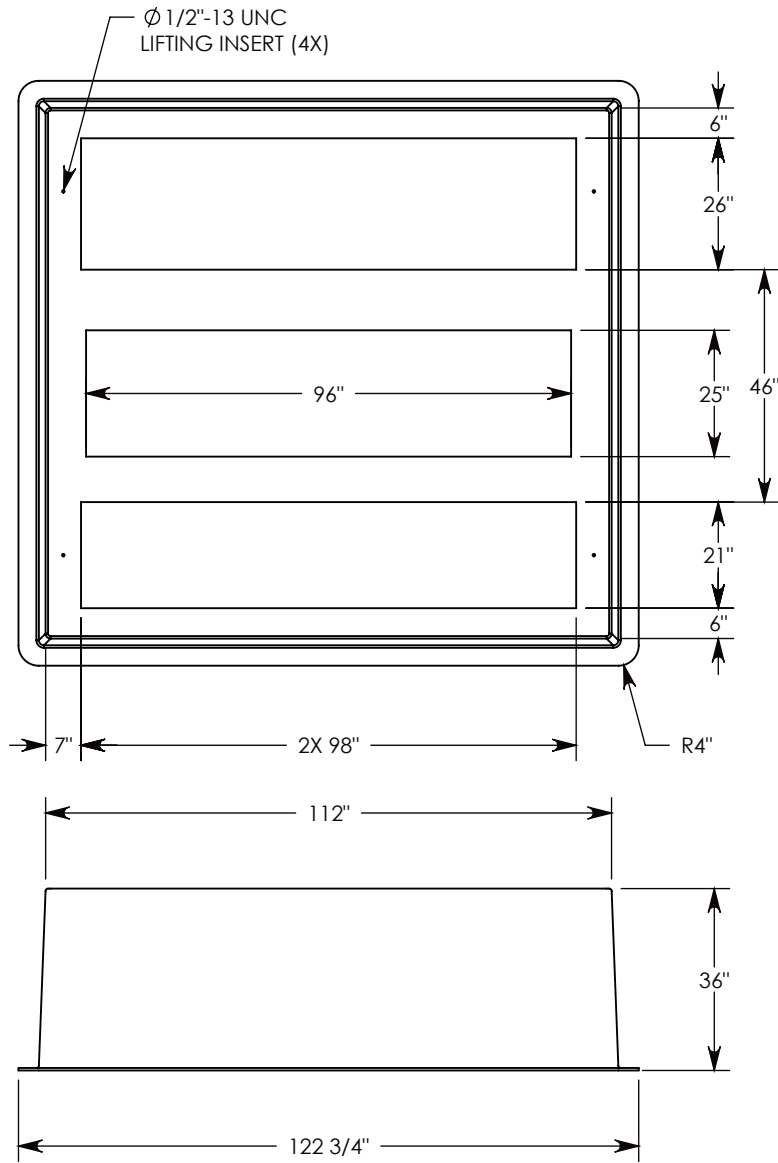
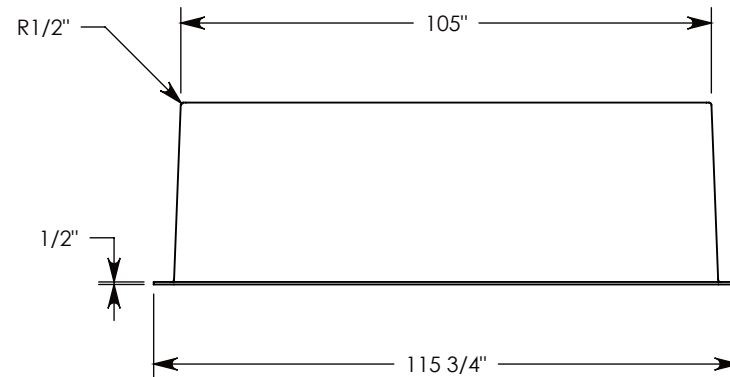


REV. A - SIC - 6/13/2019 - UPDATED DIMENSIONS AND DESCRIPTION
 REV. B - JCG - 2/20/2020 - CHANGED FROM SPLIT PAD TO 1 PIECE PAD

FIBERCRETE®



FIBER REINFORCED CONCRETE



NOTE 1: IF SPECIFIC INSERTS OR MOUNTING HARDWARE ARE REQUIRED, PLEASE SPECIFY WHEN ORDERING.

DRAWN BY: JESSE GUTTING	
CREATED DATE: 2/20/2020	REVISION LEVEL: B
SAVED DATE: 2/20/2020	SAVED BY: jgutting
WEIGHT: 1479 LBS.	MATERIAL: FIBERCRETE FC

CONCAST
 1010 NORTH STAR DRIVE
 P.O. BOX 69
 ZUMBROTA, MN 55992-0069

DESCRIPTION: FIBERCRETE BOX PAD		SHEET 1 OF 1
DIMENSIONS ARE IN INCHES TOLERANCES: FRACTIONAL: ± 1/8" ANGULAR: ± 2°	CONTACT INFORMATION: EMAIL: INFO@CONCASTINC.COM PHONE: (507) 732-4095 FAX: (507) 732-4094	
PART NUMBER: FC-105-112-36(46)2198-2698		