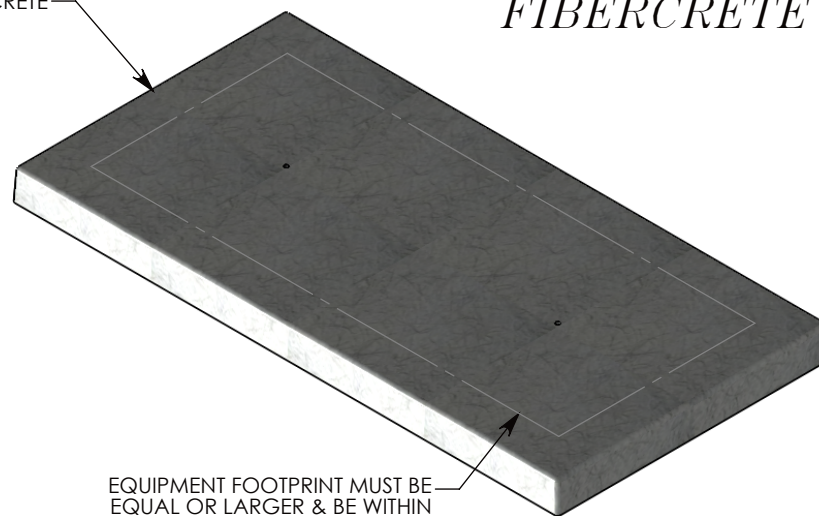
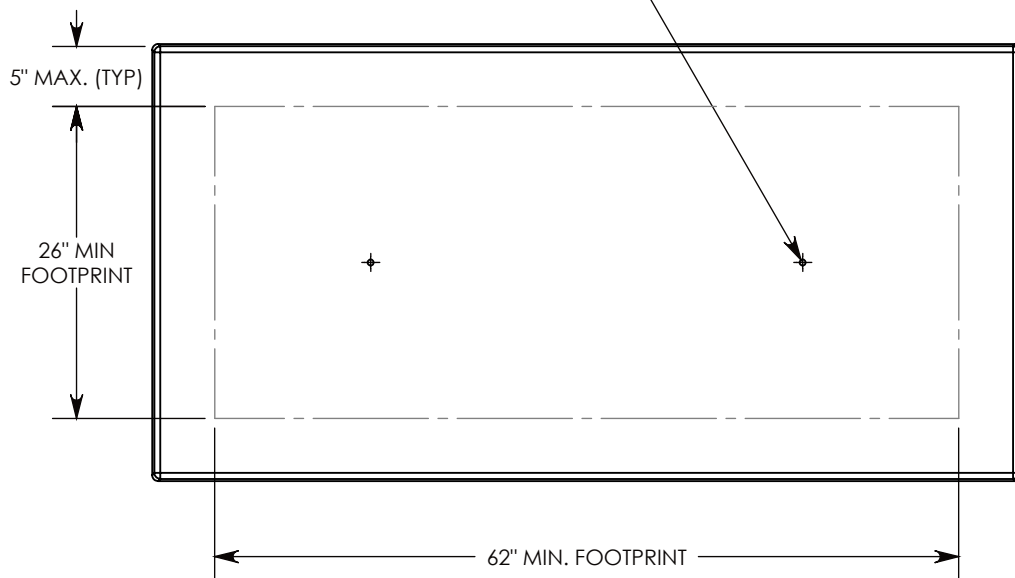


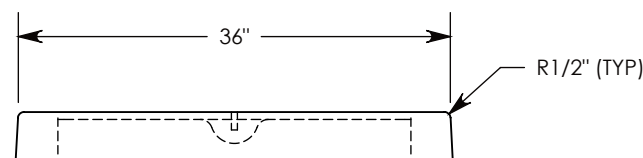
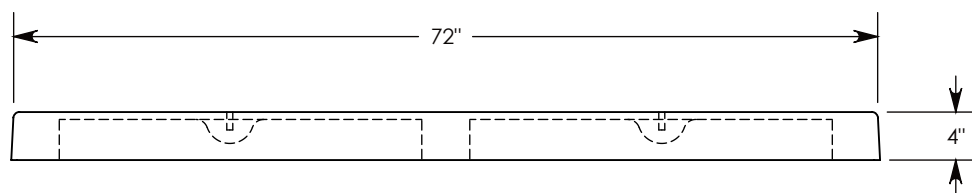
FIBER REINFORCED CONCRETE

FIBERCRETE®

Ø 1/2"-13 UNC INSERT
FOR LIFTING (2X)
LOCATIONS MAY VARY



EQUIPMENT FOOTPRINT MUST BE
EQUAL OR LARGER & BE WITHIN
5" OF THE OUTSIDE EDGE OF THE PAD



UNLESS OTHERWISE DIRECTED, THIS PAD IS SUPPLIED AS SHOWN WITH NO CABLE ROUTING OPENINGS.
IF OPENINGS ARE REQUIRED, MARK-UP THIS DRAWING WITH THEIR LOCATIONS & SIZES.
MOUNTING INSERTS ARE TO BE FIELD INSTALLED. CONCAST TOGGLE NUTS ARE IDEAL; SPECIFY QUANTITY AND SIZE (1/4", 3/8", OR 1/2") WHEN ORDERING.

DRAWN BY: ROBIN FLINT	
DATE: 7/7/2014	REVISION LEVEL: 0
WEIGHT: 223 LBS.	MATERIAL: FIBERCRETE FC



1010 NORTH STAR DRIVE
P.O. BOX 69
ZUMBROTA, MN 55992-0069

DESCRIPTION: FIBERCRETE FLAT PAD		
DIMENSIONS ARE IN INCHES TOLERANCES: FRACTIONAL: ± 1/8" ANGULAR: ± 2°	CONTACT INFORMATION: EMAIL: INFO@CONCASTINC.COM PHONE: (507) 732-4095 FAX: (507) 732-4094	SHEET 1 OF 1
PART NUMBER: FC-36-72-4		