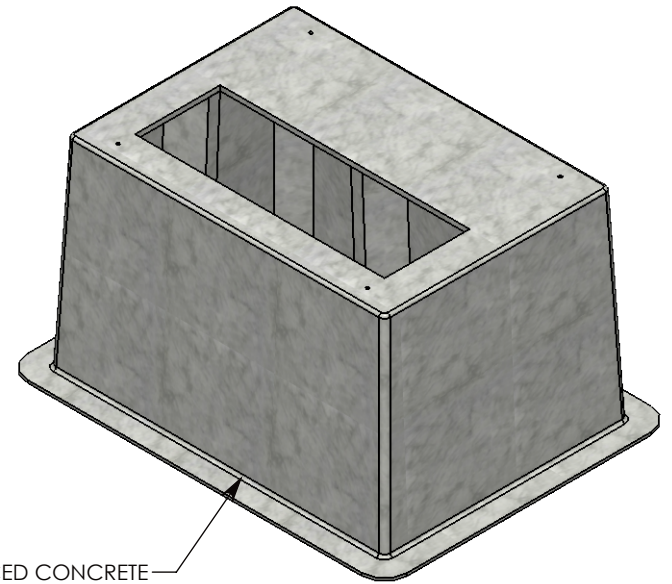
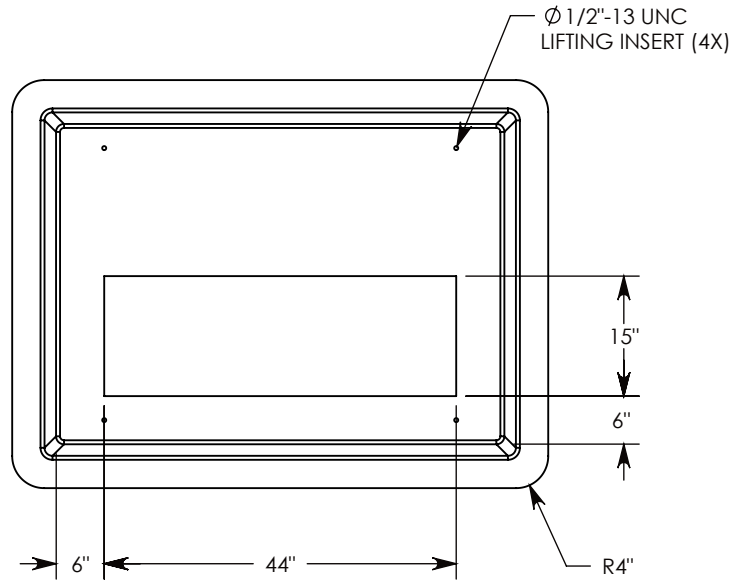
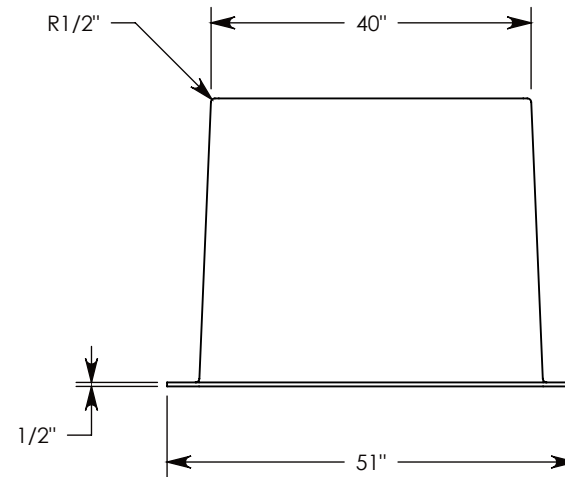
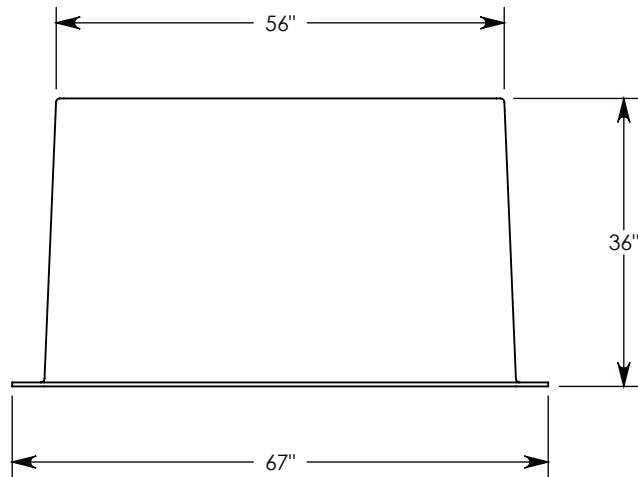


FIBERCRETE®



FIBER REINFORCED CONCRETE



NOTE 1: IF SPECIFIC INSERTS OR MOUNTING HARDWARE ARE REQUIRED, PLEASE SPECIFY WHEN ORDERING.

DRAWN BY: JESSE GUTTING	
CREATED DATE: 8/18/2020	REVISION LEVEL: 0
SAVED DATE: 8/21/2020	SAVED BY: jgutting
WEIGHT: 554 LBS.	MATERIAL: FIBERCRETE FC



CONCAST
 1010 NORTH STAR DRIVE
 P.O. BOX 69
 ZUMBROTA, MN 55992-0069

DESCRIPTION: FIBERCRETE BOX PAD		SHEET 1 OF 1
DIMENSIONS ARE IN INCHES TOLERANCES: FRACTIONAL: ± 1/8" ANGULAR: ± 2°	CONTACT INFORMATION: EMAIL: INFO@CONCASTINC.COM PHONE: (507) 732-4095 FAX: (507) 732-4094	
PART NUMBER: FC-40-56-36-1544(6)		