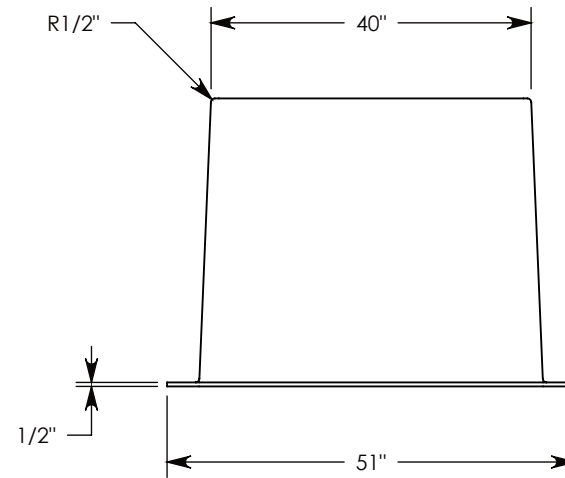
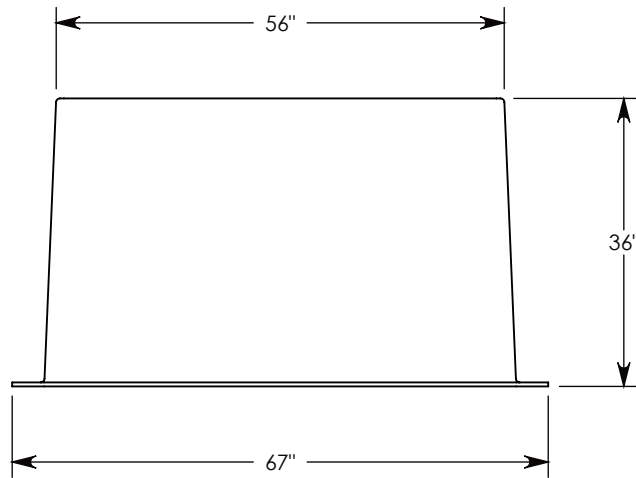


FIBER REINFORCED CONCRETE



**NOTE 1:** IF SPECIFIC INSERTS OR MOUNTING HARDWARE ARE REQUIRED, PLEASE SPECIFY WHEN ORDERING.

DRAWN BY: <b>JESSE GUTTING</b>	
CREATED DATE: <b>8/18/2020</b>	REVISION LEVEL: <b>0</b>
SAVED DATE: <b>8/21/2020</b>	SAVED BY: <b>jgutting</b>
WEIGHT: <b>511 LBS.</b>	MATERIAL: <b>FIBERCRETE FC</b>

**CONCAST**  
 1010 NORTH STAR DRIVE  
 P.O. BOX 69  
 ZUMBROTA, MN 55992-0069

DESCRIPTION: <b>FIBERCRETE BOX PAD</b>		SHEET 1 OF 1
DIMENSIONS ARE IN INCHES TOLERANCES: FRACTIONAL: $\pm 1/8\text{'}$ ANGULAR: $\pm 2^\circ$	CONTACT INFORMATION: EMAIL: <a href="mailto:INFO@CONCASTINC.COM">INFO@CONCASTINC.COM</a> PHONE: (507) 732-4095 FAX: (507) 732-4094	
PART NUMBER: <b>FC-40-56-36-2844</b>		