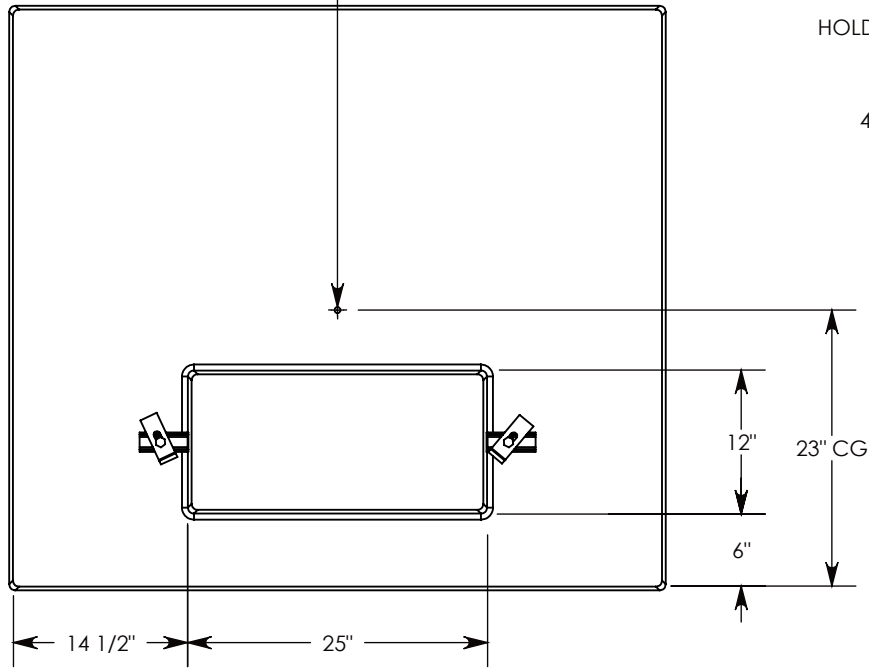


Ø 1/2"-13 UNC INSERT FOR LIFTING. LOCATION MAY VARY

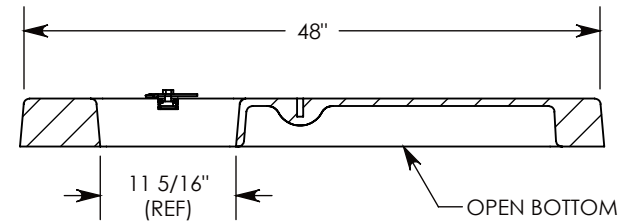
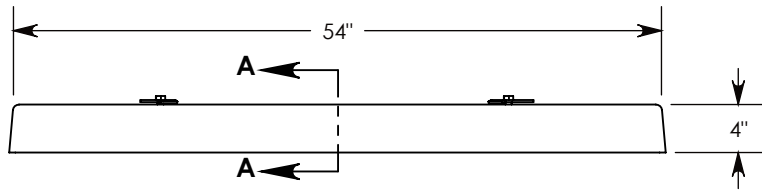
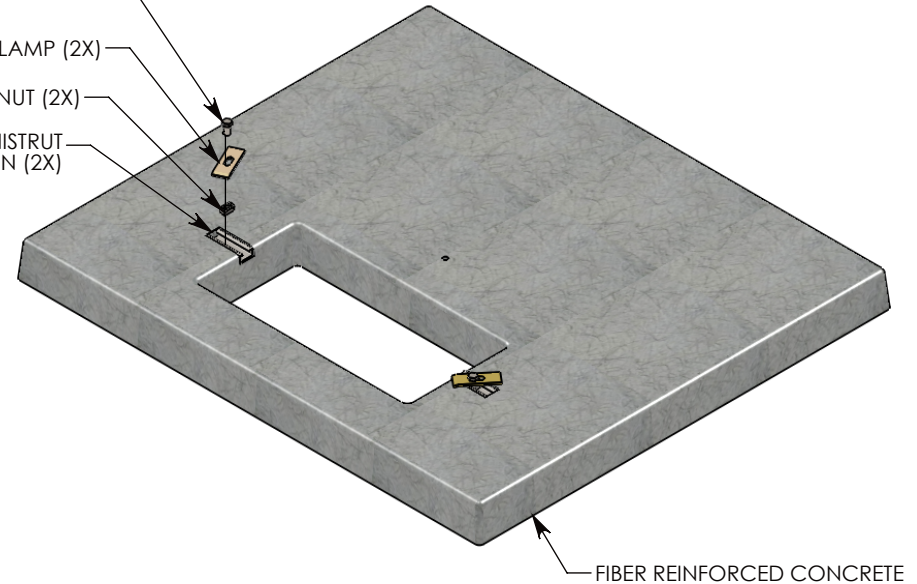


1/2-13 UNC X 1" LG HEX HD BOLT (2X)

HOLD-DOWN CLAMP (2X)

SPRING NUT (2X)

4" LONG UNISTRUT CAST-IN (2X)



SECTION A-A

ALL VERTICAL SURFACES HAVE A 5 TO 7 DEGREE DRAFT

| | |
|------------------------------|--------------------------------|
| DRAWN BY: ROBIN FLINT | |
| DATE: 7/7/2014 | REVISION LEVEL: 0 |
| WEIGHT: 195 LBS. | MATERIAL: FIBERCRETE FC |



1010 NORTH STAR DRIVE
P.O. BOX 69
ZUMBROTA, MN 55992-0069

| | | |
|--|--|--------------|
| DESCRIPTION: | | |
| FIBERCRETE FLAT PAD | | |
| DIMENSIONS ARE IN INCHES TOLERANCES: FRACTIONAL: ± 1/8" ANGULAR: ± 2° | CONTACT INFORMATION: EMAIL: INFO@CONCASTINC.COM PHONE: (507) 732-4095 FAX: (507) 732-4094 | SHEET 1 OF 1 |
| PART NUMBER: FC-48-54-4-1225 (6) | | |