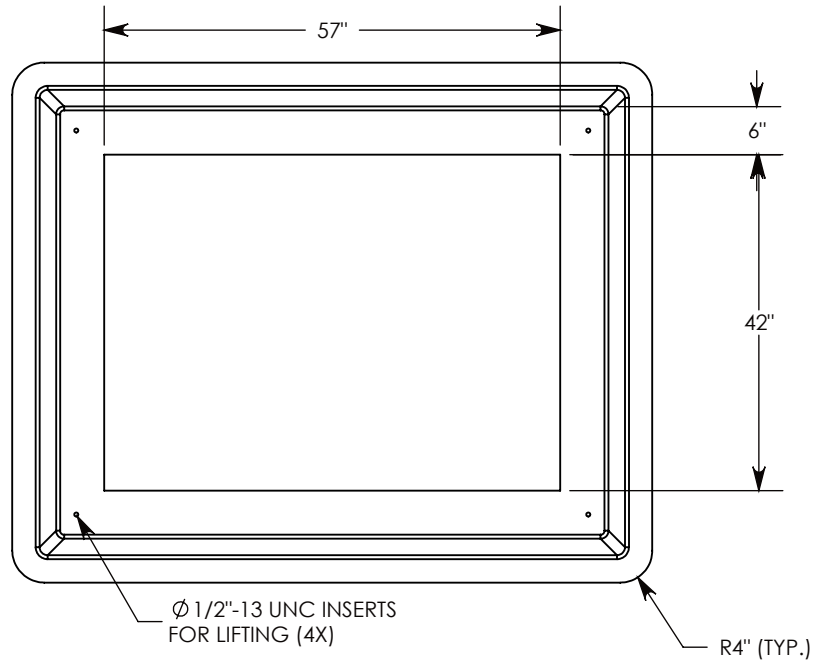
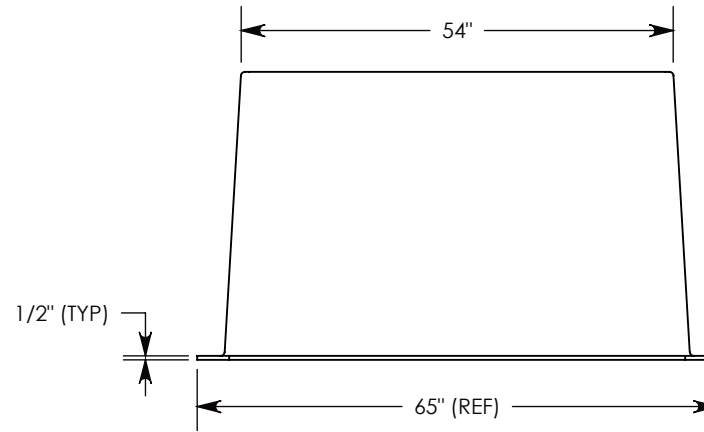
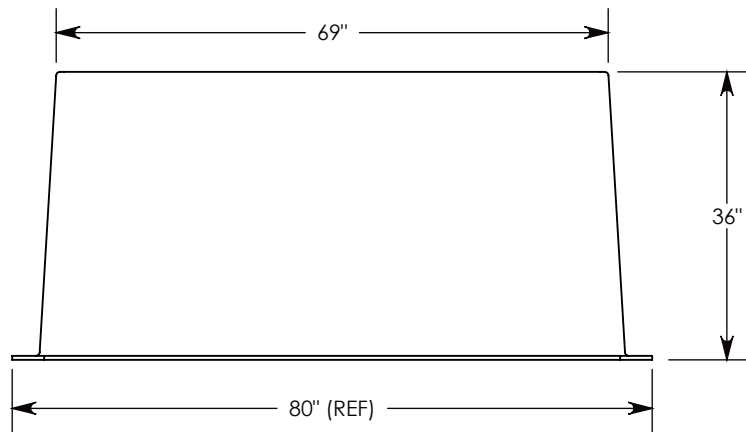
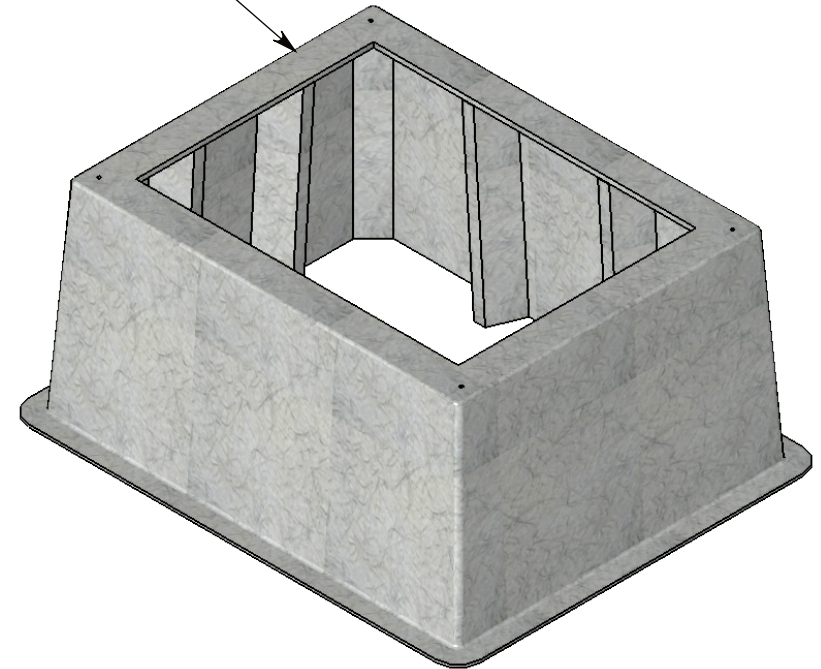


FIBERCRETE[®]



FIBER REINFORCED CONCRETE



DRAWN BY: ROBIN FLINT

DATE: 9/28/2016

REVISION LEVEL: 0

WEIGHT:

642 LBS.

MATERIAL:

FIBERCRETE



1010 NORTH STAR DRIVE
P.O. BOX 69
ZUMBROTA, MN 55992-0069

DESCRIPTION:

FIBERCRETE PAD BOX

DIMENSIONS ARE IN INCHES
TOLERANCES:
FRACTIONAL: ± 1/8"
ANGULAR: ± 2°

CONTACT INFORMATION:
EMAIL: INFO@CONCASTINC.COM
PHONE: (507) 732-4095
FAX: (507) 732-4094

SHEET 1 OF 1

PART NUMBER:

FC-54-69-36-4257