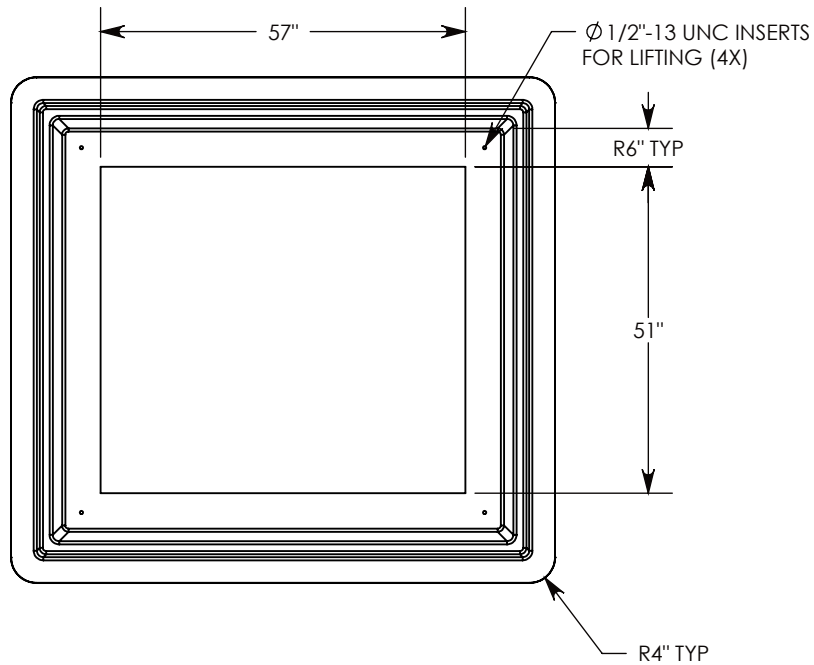
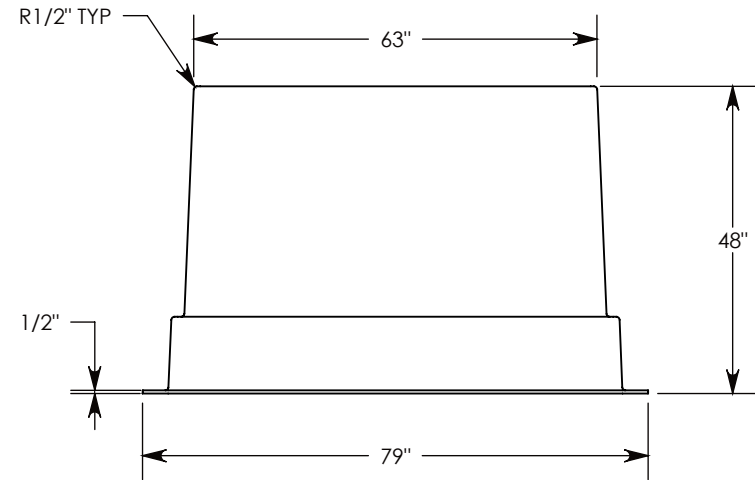
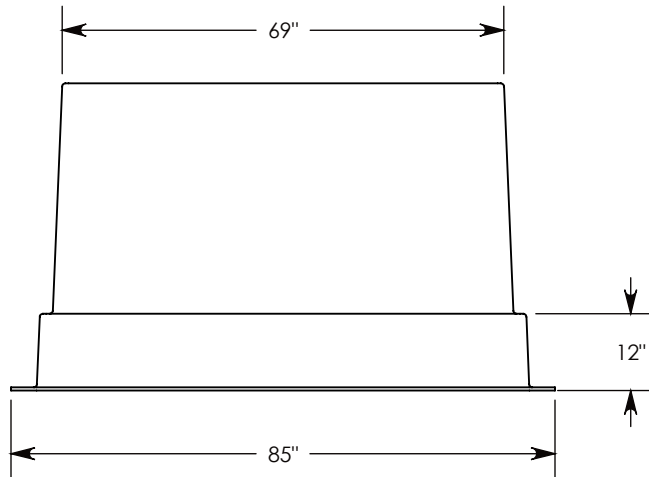
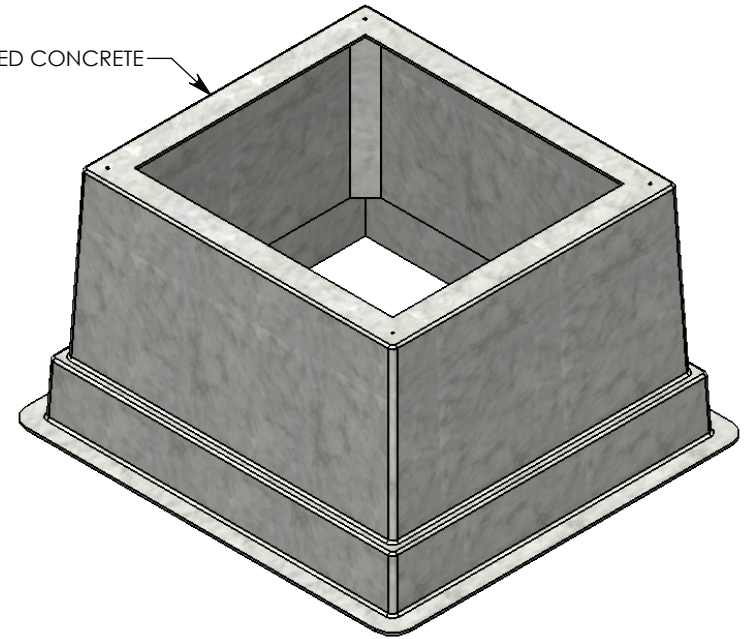


REV. A - JCG - 9/30/2016 - CHANGED FROM STRAIGHT WALLED, TO STEPPED BOX
 REV. B - SIC - 6/4/2019 - UPDATED ANNOTATIONS, DIMENSIONS, AND VIEWS

FIBERCRETE®



FIBER REINFORCED CONCRETE



DRAWN BY: ROBIN FLINT

DATE: 6/4/2019

REVISION LEVEL: B

WEIGHT:

720 LBS.

MATERIAL:

FIBERCRETE FC



DESCRIPTION:

FIBERCRETE BOX PAD

DIMENSIONS ARE IN INCHES
 TOLERANCES:
 FRACTIONAL: ± 1/8"
 ANGULAR: ± 2°

CONTACT INFORMATION:
 EMAIL: INFO@CONCASTINC.COM
 PHONE: (507) 732-4095
 FAX: (507) 732-4094

SHEET 1 OF 1

PART NUMBER:

FC-63-69-48-5157