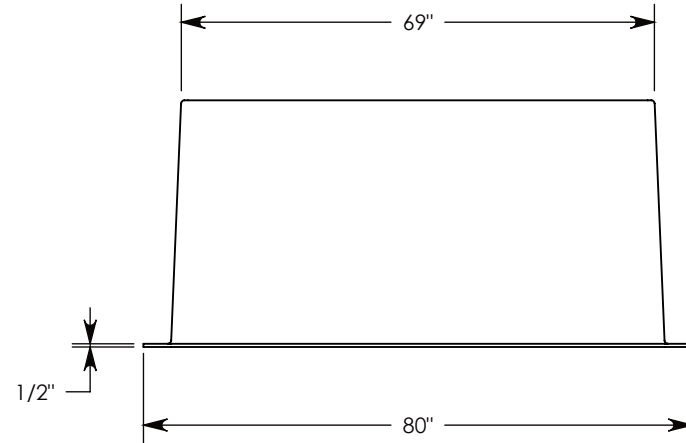
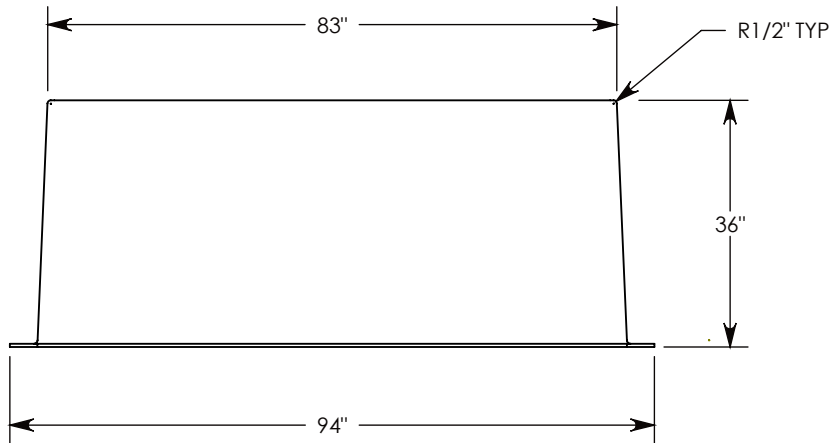
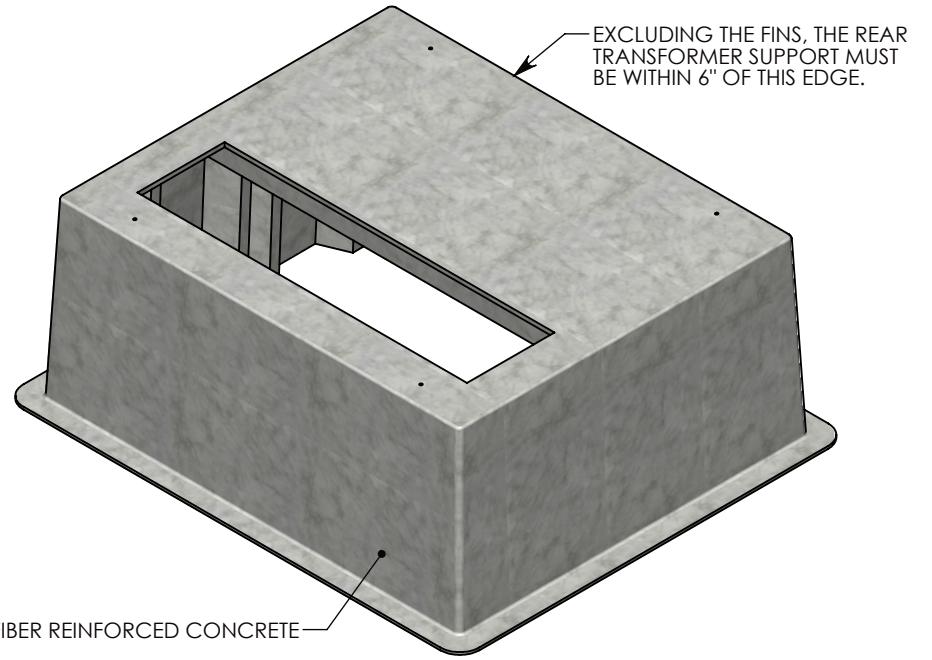
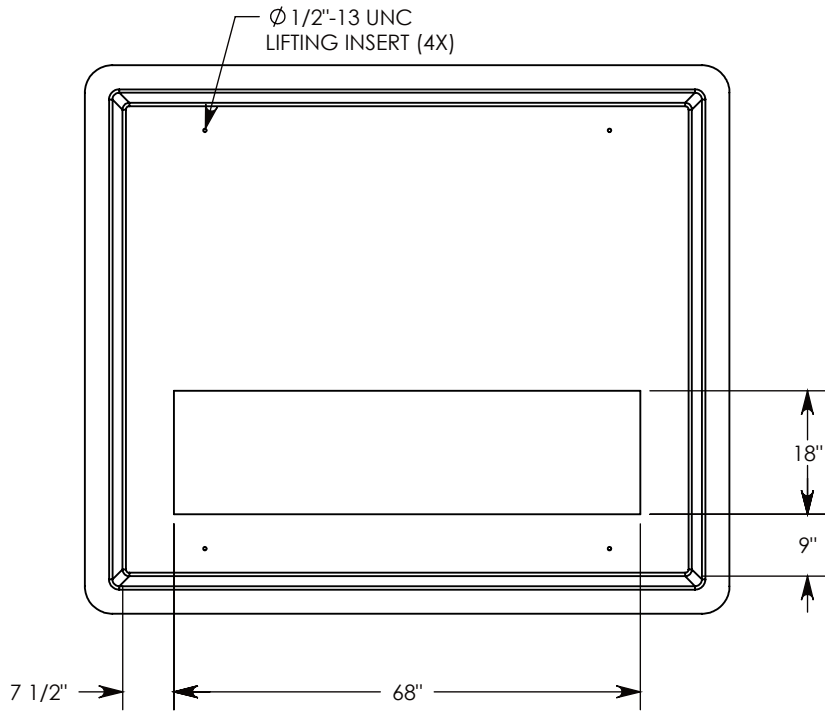


FIBERCRETE®



DRAWN BY: ROBIN FLINT	
CREATED DATE: 6/20/2007	REVISION LEVEL: A
SAVED DATE: 2/8/2022	SAVED BY: scallahan
WEIGHT: 1273 LBS.	MATERIAL: FIBERCRETE FC



CONCAST
1010 NORTH STAR DRIVE
P.O. BOX 69
ZUMBROTA, MN 55992-0069

DESCRIPTION: FIBERCRETE BOX PAD		
DIMENSIONS ARE IN INCHES TOLERANCES: FRACTIONAL: $\pm 1/8"$ ANGULAR: $\pm 2^\circ$	CONTACT INFORMATION: EMAIL: INFO@CONCASTINC.COM PHONE: (507) 732-4095 FAX: (507) 732-4094	SHEET 1 OF 1
PART NUMBER: FC-69-83-36-1868(9)		