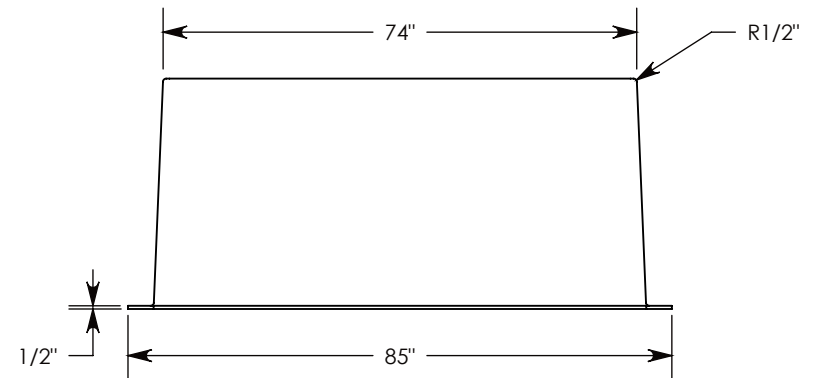
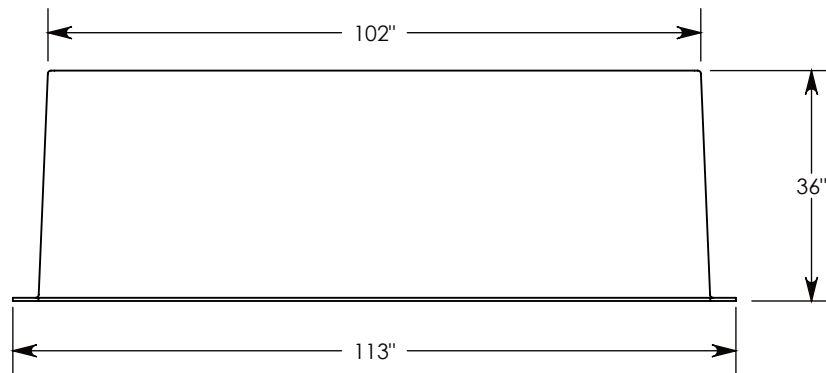
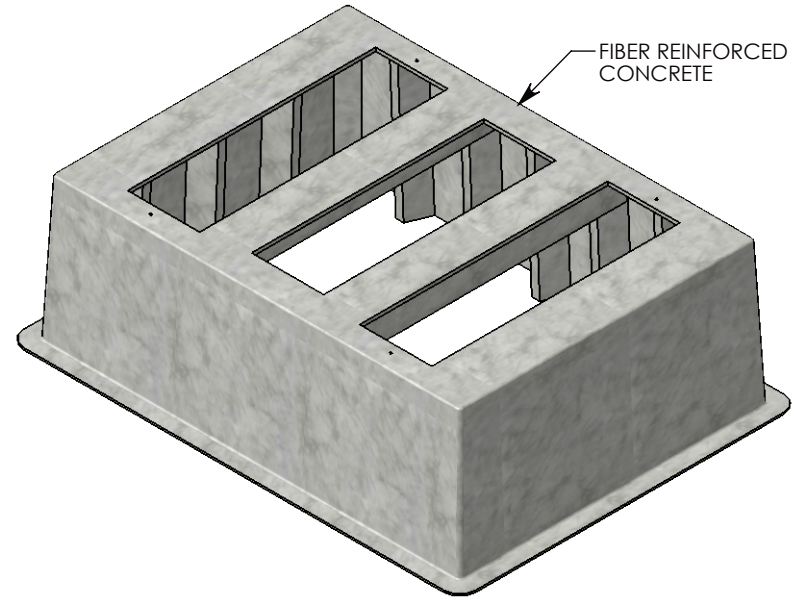
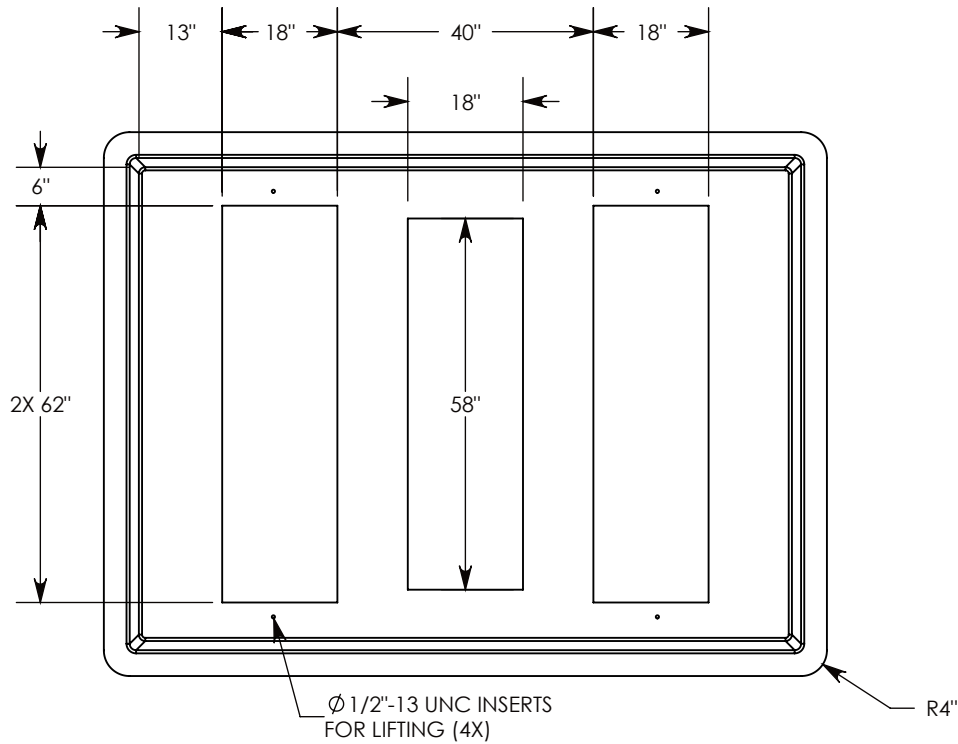


FIBERCRETE®



DRAWN BY: **JESSE GUTTING**

CREATED DATE: **3/17/2009** REVISION LEVEL: **0**

SAVED DATE: **3/2/2021** SAVED BY: **jgutting**

WEIGHT: **1382 LBS.** MATERIAL: **FIBERCRETE FC**

CONCAST
 1010 NORTH STAR DRIVE
 P.O. BOX 69
 ZUMBROTA, MN 55992-0069

DESCRIPTION:

FIBERCRETE BOX PAD

DIMENSIONS ARE IN INCHES
 TOLERANCES:
 FRACTIONAL: ± 1/8"
 ANGULAR: ± 2°

CONTACT INFORMATION:
 EMAIL: INFO@CONCASTINC.COM
 PHONE: (507) 732-4095
 FAX: (507) 732-4094

SHEET 1 OF 1

PART NUMBER:

FC-74-102-36(40)2-6218