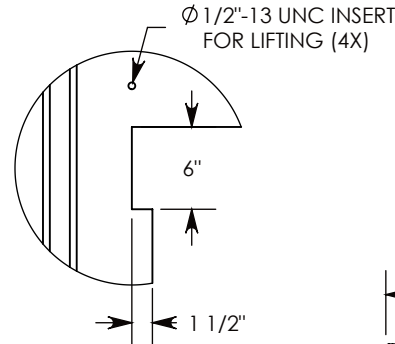
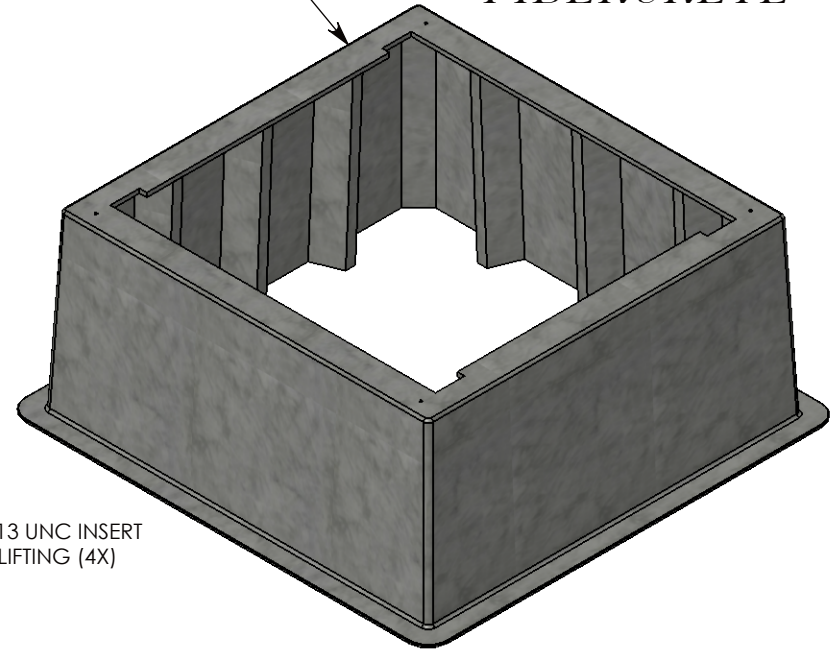
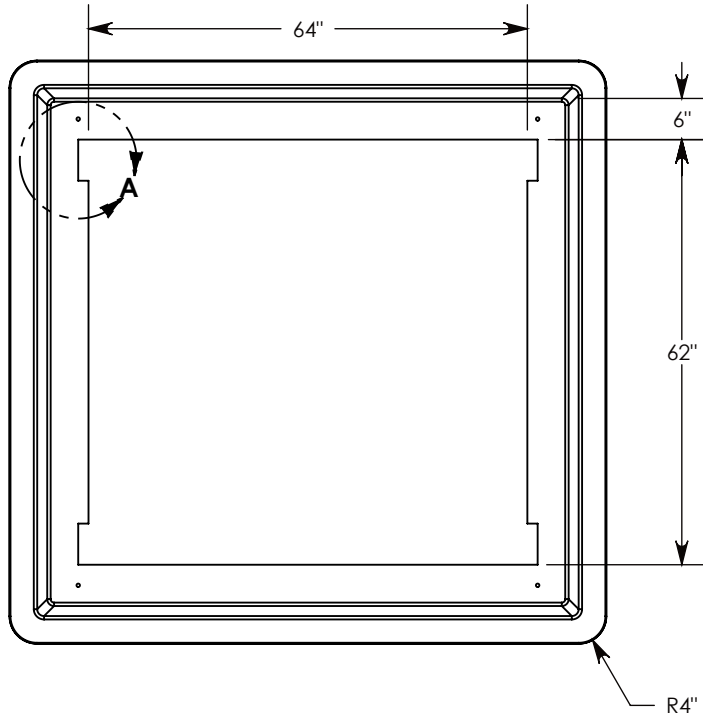
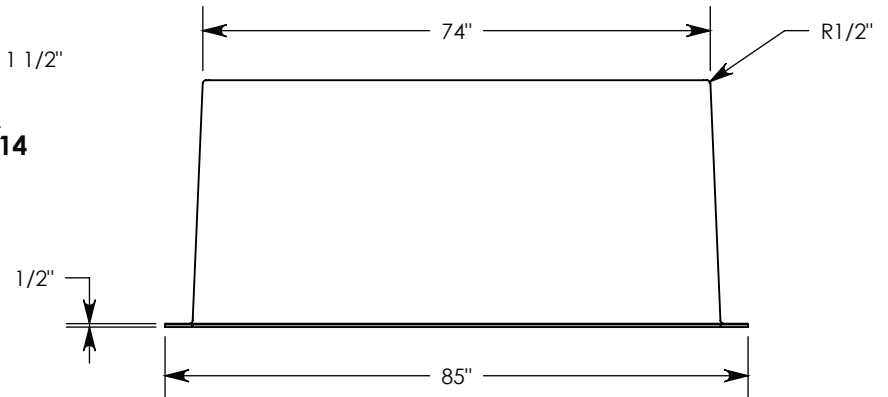
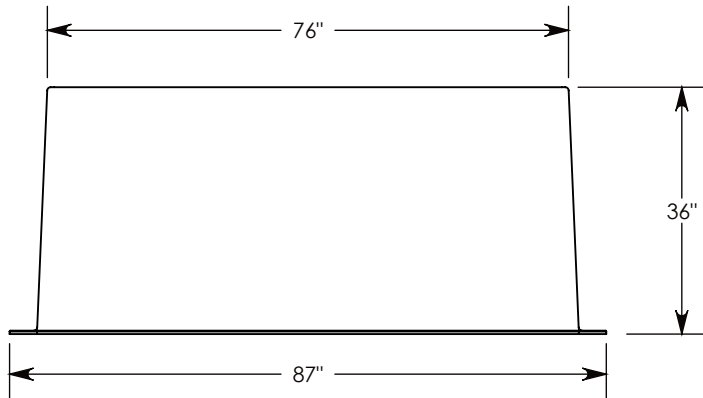


FIBERCRETE[®]

FIBER REINFORCED CONCRETE



DETAIL A
SCALE 1 : 14



DRAWN BY: ROBIN FLINT

DATE: 11/12/2018

REVISION LEVEL: A

WEIGHT:

783 LBS.

MATERIAL:

FIBERCRETE FC



1010 NORTH STAR DRIVE
P.O. BOX 69
ZUMBROTA, MN 55992-0069

DESCRIPTION:

FIBERCRETE PAD BOX

DIMENSIONS ARE IN INCHES
TOLERANCES:
FRACTIONAL: ± 1/8"
ANGULAR: ± 2°

CONTACT INFORMATION:
EMAIL: INFO@CONCASTINC.COM
PHONE: (507) 732-4095
FAX: (507) 732-4094

SHEET 1 OF 1

PART NUMBER:

FC-74-76-36-6264