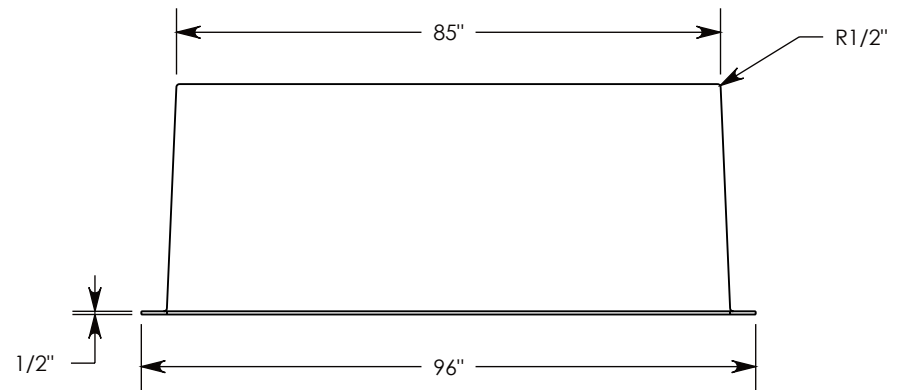
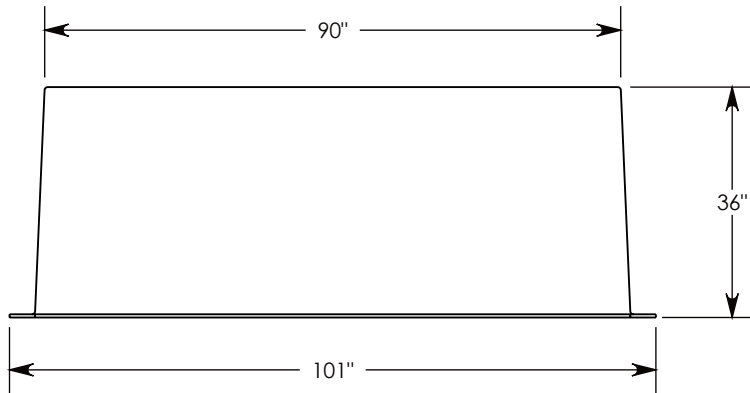
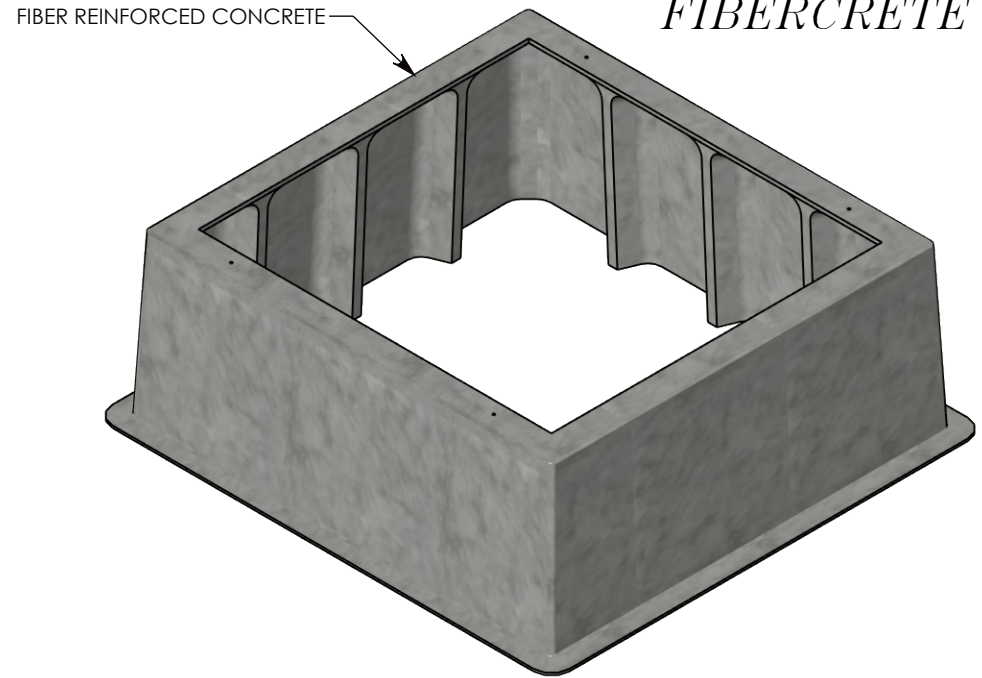
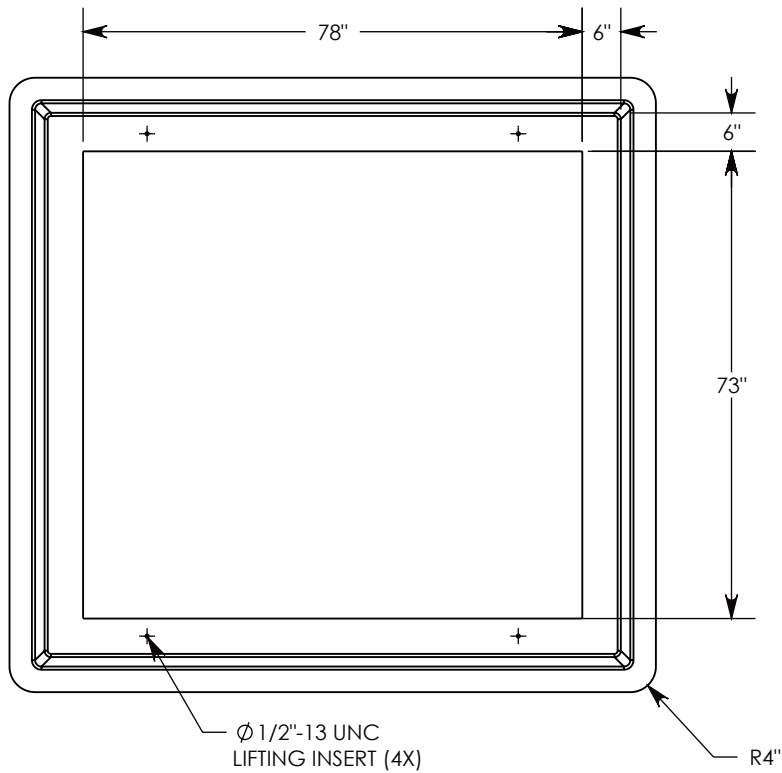


**FIBERCRETE**<sup>®</sup>



DRAWN BY: **ROBIN FLINT**

CREATED DATE: **3/17/2009** REVISION LEVEL: **0**

SAVED DATE: **4/12/2023** SAVED BY: **jgutting**

WEIGHT: **1010 LBS.** MATERIAL: **FIBERCRETE FC**

**CONCAST**  
 1010 NORTH STAR DRIVE  
 P.O. BOX 69  
 ZUMBROTA, MN 55992-0069

DESCRIPTION:

**FIBERCRETE PAD BOX**

DIMENSIONS ARE IN INCHES  
 TOLERANCES:  
 FRACTIONAL:  $\pm 1/8$ "  
 ANGULAR:  $\pm 2^\circ$

CONTACT INFORMATION:  
 EMAIL: [INFO@CONCASTINC.COM](mailto:INFO@CONCASTINC.COM)  
 PHONE: (507) 732-4095  
 FAX: (507) 732-4094

SHEET 1 OF 1

PART NUMBER:

**FC-85-90-36-7378**