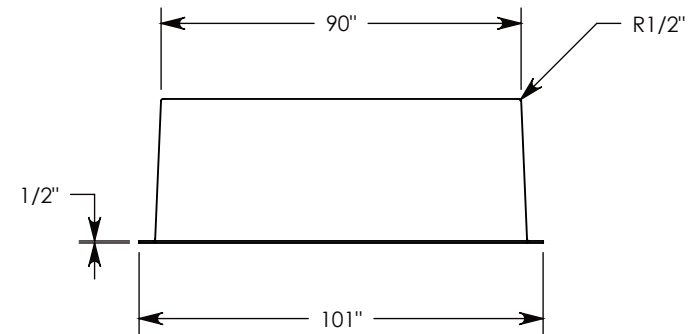
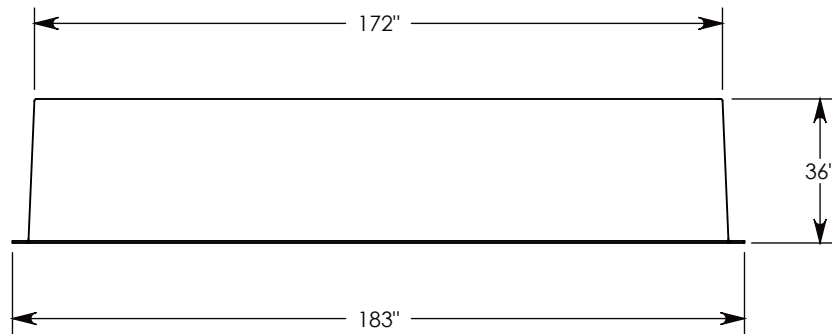
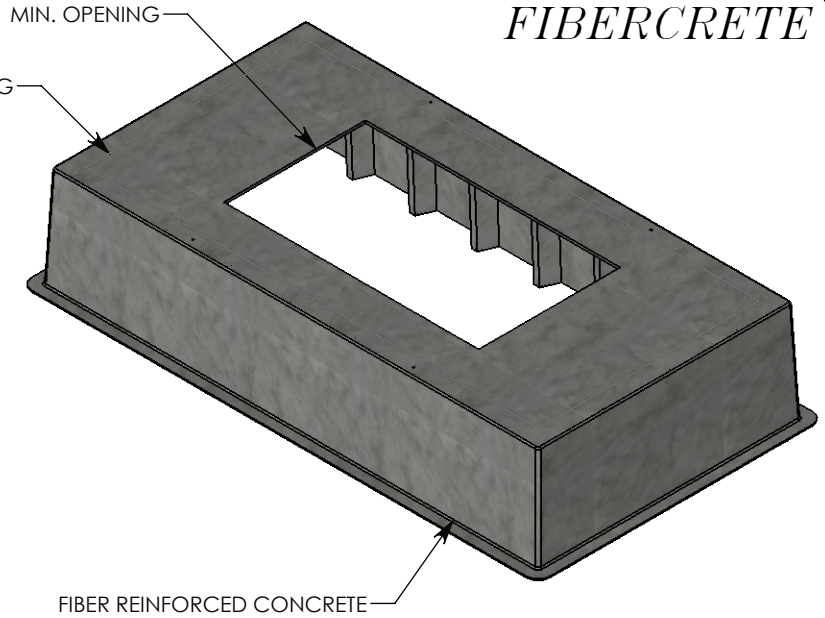
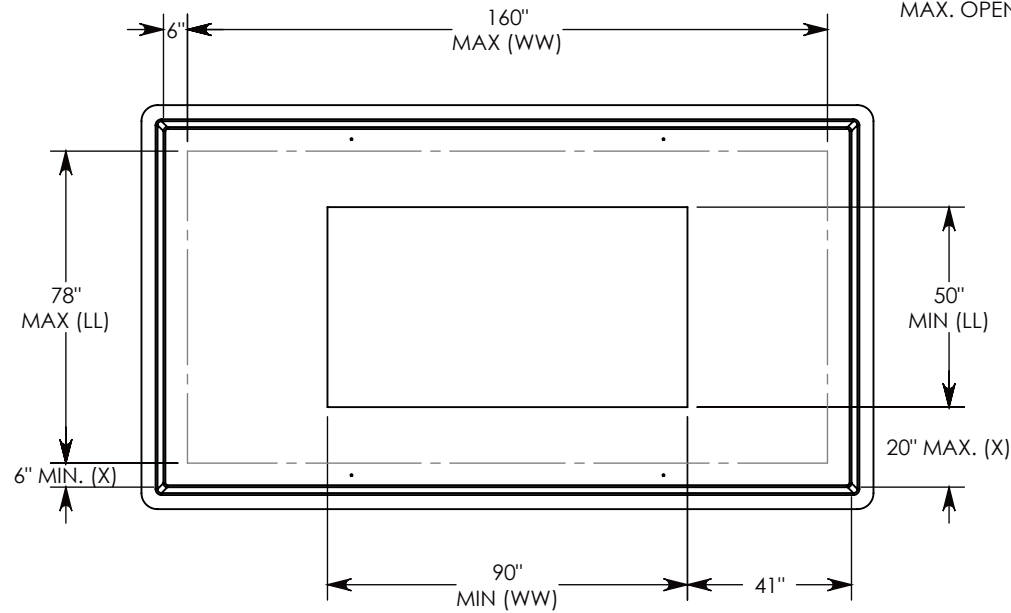


**FIBERCRETE<sup>®</sup>**



**NOTE 1:**  $\varnothing$  1/2"-13 UNC LIFTING INSERTS WILL BE CAST INTO BOX PAD

IF SPECIFIC INSERTS OR MOUNTING HARDWARE ARE REQUIRED, PLEASE SPECIFY WHEN ORDERING.

**NOTE 2:** PART NUMBER IS BASED ON OPENING SIZE. IE: THE SMALLEST OPENING PAD IS P/N: FC-90--172-36-5090(20)  
THE LARGEST OPENING PAD IS P/N: FC-90-172-36-78160

DRAWN BY: **JESSE GUTTING**

CREATED DATE: **7/20/2021** REVISION LEVEL: **0**

SAVED DATE: **7/21/2021** SAVED BY: **jgutting**

WEIGHT: **2177 LBS.** MATERIAL: **FIBERCRETE FC**

**CONCAST**  
1010 NORTH STAR DRIVE  
P.O. BOX 69  
ZUMBROTA, MN 55992-0069

DESCRIPTION:

**FIBERCRETE PAD BOX**

DIMENSIONS ARE IN INCHES  
TOLERANCES:  
FRACTIONAL:  $\pm 1/8"$   
ANGULAR:  $\pm 2^\circ$

CONTACT INFORMATION:  
EMAIL: [INFO@CONCASTINC.COM](mailto:INFO@CONCASTINC.COM)  
PHONE: (507) 732-4095  
FAX: (507) 732-4094

SHEET 1 OF 1

PART NUMBER:

**FC-90-172-36-LLWW(X)**