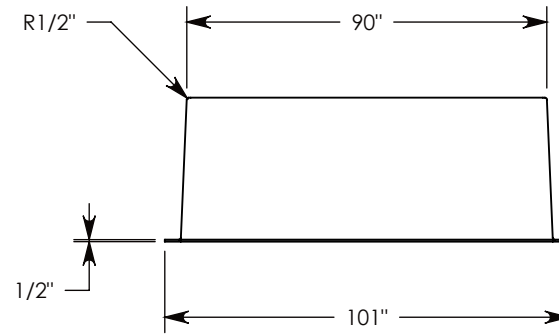
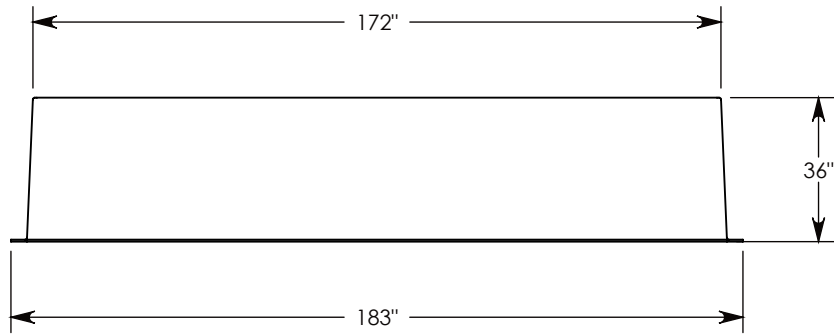
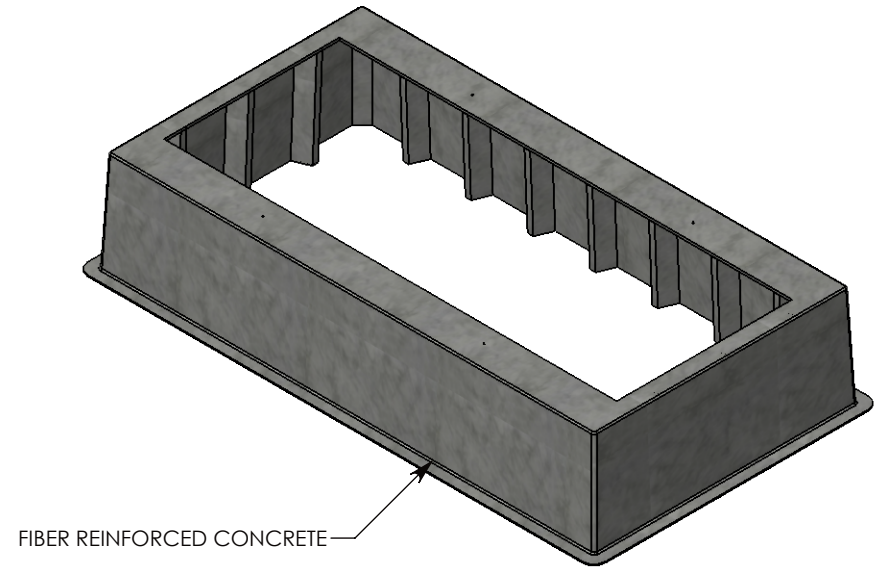
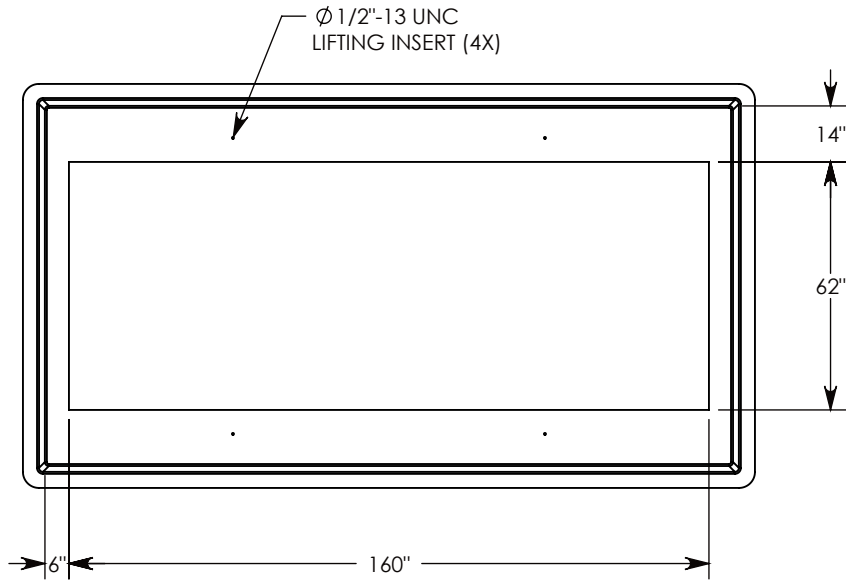


ITEM NO.	PART NUMBER	DESCRIPTION	QTY.
1	C-CLAMP	CLAMP WITH $\varnothing 3/8$ -16 UNC X 2" BOLT	12



**NOTE 1:** IF SPECIFIC INSERTS OR MOUNTING HARDWARE ARE REQUIRED, PLEASE SPECIFY WHEN ORDERING.

DRAWN BY: **JESSE GUTTING**

CREATED DATE: **9/28/2020** REVISION LEVEL: **0**

SAVED DATE: **9/28/2020** SAVED BY: **jgutting**

WEIGHT: **1562 LBS.** MATERIAL: **FIBERCRETE FC**

**CONCAST**  
1010 NORTH STAR DRIVE  
P.O. BOX 69  
ZUMBROTA, MN 55992-0069

DESCRIPTION:

**FIBERCRETE PAD BOX**

DIMENSIONS ARE IN INCHES  
TOLERANCES:  
FRACTIONAL:  $\pm 1/8$ "  
ANGULAR:  $\pm 2^\circ$

CONTACT INFORMATION:  
EMAIL: [INFO@CONCASTINC.COM](mailto:INFO@CONCASTINC.COM)  
PHONE: (507) 732-4095  
FAX: (507) 732-4094

SHEET 1 OF 1

PART NUMBER:

**FC-90-172-36-PMX2**