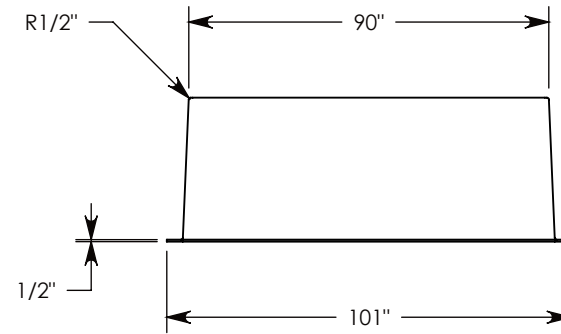
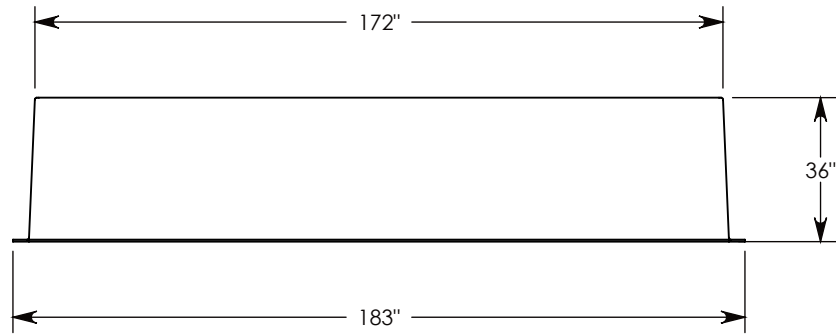
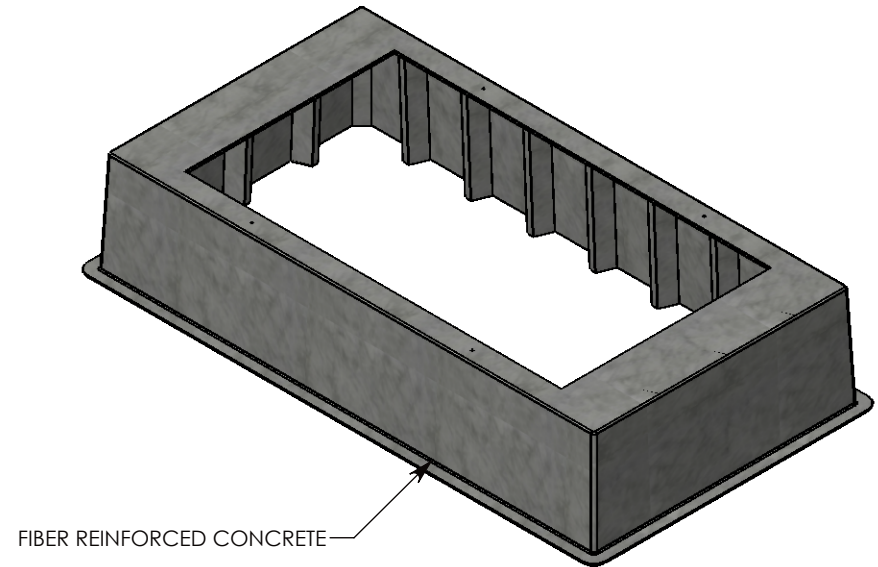
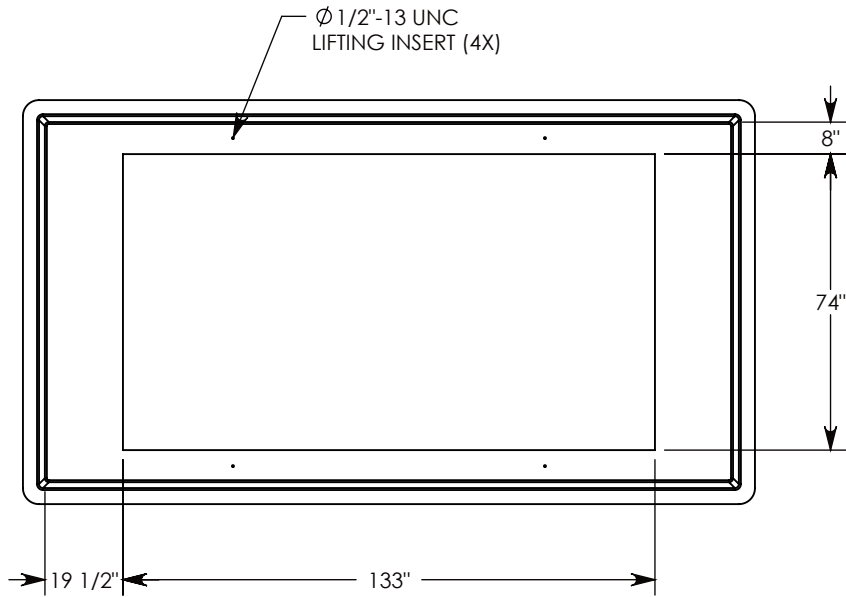


ITEM NO.	PART NUMBER	DESCRIPTION	QTY.
1	C-CLAMP	CLAMP WITH $\varnothing 3/8$ -16 UNC X 2" BOLT	12



NOTE 1: IF SPECIFIC INSERTS OR MOUNTING HARDWARE ARE REQUIRED, PLEASE SPECIFY WHEN ORDERING.

DRAWN BY: **JESSE GUTTING**

CREATED DATE: **9/28/2020** REVISION LEVEL: **0**

SAVED DATE: **9/28/2020** SAVED BY: **jgutting**

WEIGHT: **1544 LBS.** MATERIAL: **FIBERCRETE FC**

CONCAST
 1010 NORTH STAR DRIVE
 P.O. BOX 69
 ZUMBROTA, MN 55992-0069

DESCRIPTION:

FIBERCRETE PAD BOX

DIMENSIONS ARE IN INCHES
 TOLERANCES:
 FRACTIONAL: $\pm 1/8"$
 ANGULAR: $\pm 2^\circ$

CONTACT INFORMATION:
 EMAIL: INFO@CONCASTINC.COM
 PHONE: (507) 732-4095
 FAX: (507) 732-4094

SHEET 1 OF 1

PART NUMBER:

FC-90-172-36-PMX3