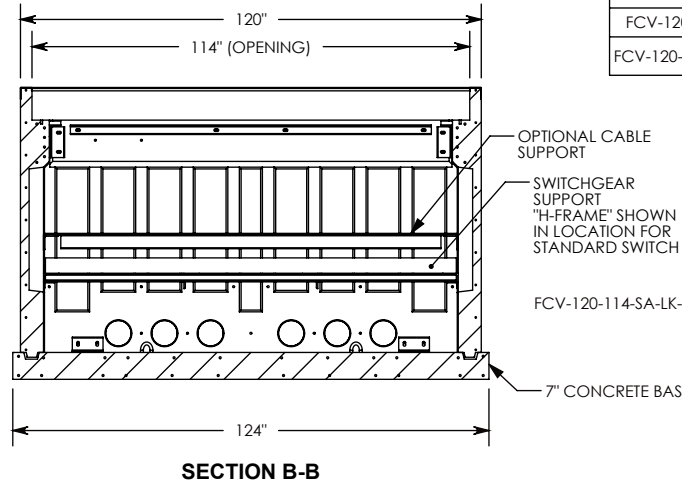
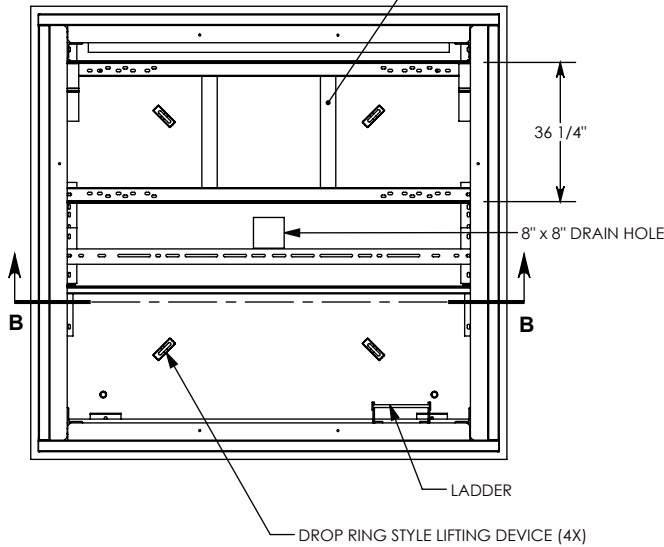


### VAULT PACKAGE BILL OF MATERIALS (BOM)

PART NUMBER	DESCRIPTION	QTY
FCV-120-114-76-SG	VAULT WITH GALVANIZED STEEL HARDWARE	1
FCV-120-114-SA-LK-PD	SPRING-ASSISTED STEEL COVER WITH STD. DECK PLATE & PADLOCK PROVISION	2

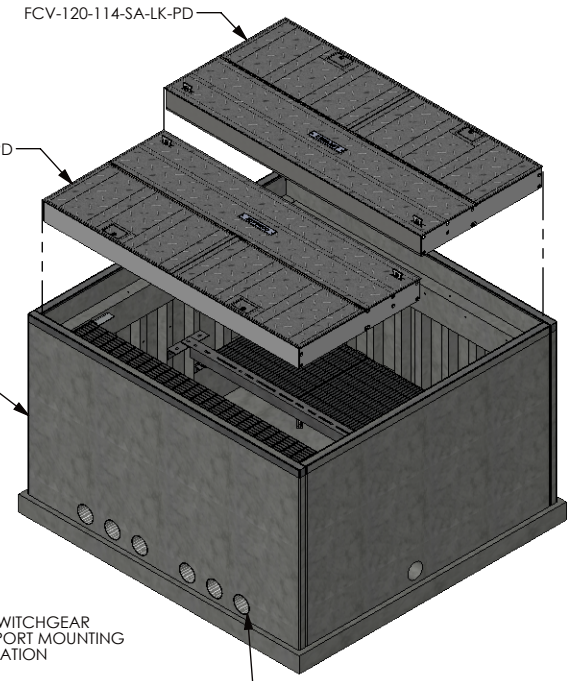
UPPER AND LOWER PLATFORM REMOVED FROM THIS VIEW.

SWITCHGEAR SUPPORT FITS 4, 5, & 6 WAY SWITCHGEAR UNITS.



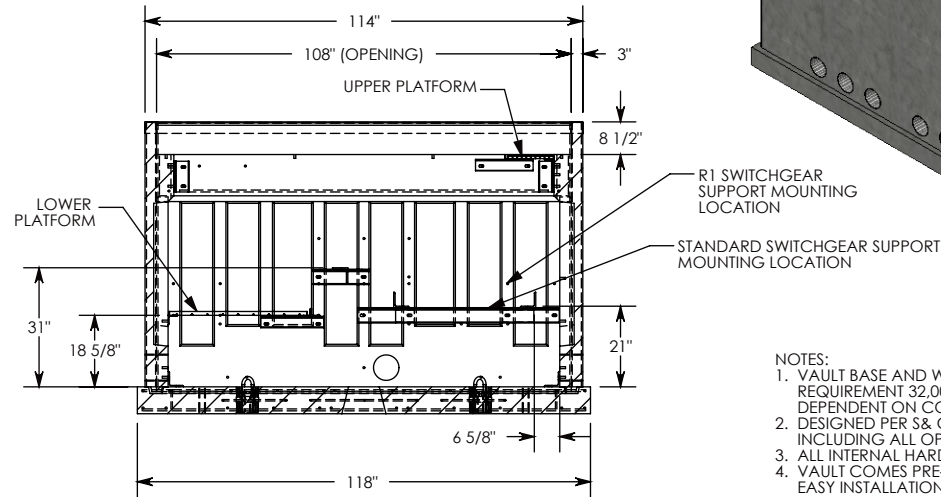
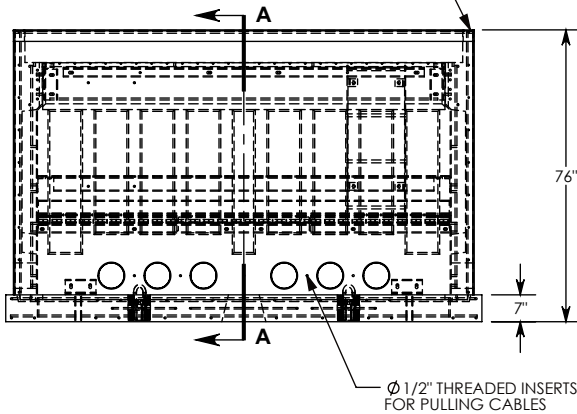
SECTION B-B

FCV-120-114-76-SG



CONDUCT TERMINATOR FOR Ø6" PVC SEE NOTE 5

GALVANIZED STEEL TOP RAIL



SECTION A-A

NOTES:

1. VAULT BASE AND WALLS MEET AASHTO H-20 HEAVY EQUIPMENT REQUIREMENT 32,000 LB. AXLE LOAD. OVERALL VAULT RATING DEPENDENT ON COVERS.
2. DESIGNED PER S & C PULL BOX SPECIFICATIONS DATA SHEET 681-51. INCLUDING ALL OPTIONAL INTERIOR STEEL HARDWARE.
3. ALL INTERNAL HARDWARE IS GALVANIZED STEEL.
4. VAULT COMES PRE-ASSEMBLED WITH COVERS REMOVED FOR EASY INSTALLATION OF YOUR SWITCHGEAR.
5. 6" DUCT TERMINATORS CAST INTO THE WALLS ARE TYPICAL, BUT ANY SPECIAL SIZE HOLES OR KNOCKOUTS CAN BE ORDERED.
6. UNIT MUST BE LIFTED VIA THE FOUR CAST-IN, DROP RING LIFTING DEVICES SHOWN.
7. LISTED WEIGHT IS THE ASSEMBLED VAULT WITH THE COVERS.

DRAWN BY: **JESSE GUTTING**

CREATED DATE: **10/20/2009** REVISION LEVEL: **0**

SAVED DATE: **3/24/2020** SAVED BY: **jgutting**

WEIGHT: **23209 LBS.** MATERIAL: **NOTED**

1010 NORTH STAR DRIVE  
P.O. BOX 69  
ZUMBROTA, MN 55992-0069

DESCRIPTION:

**PRECAST CONCRETE VAULT**

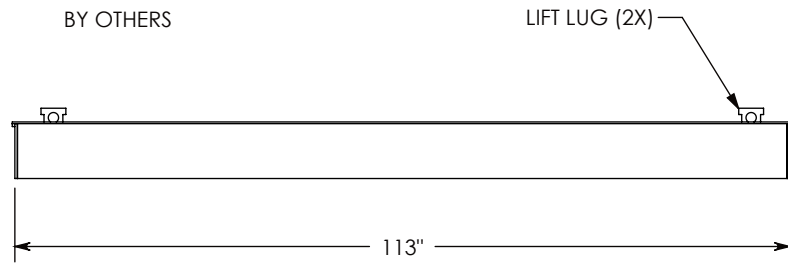
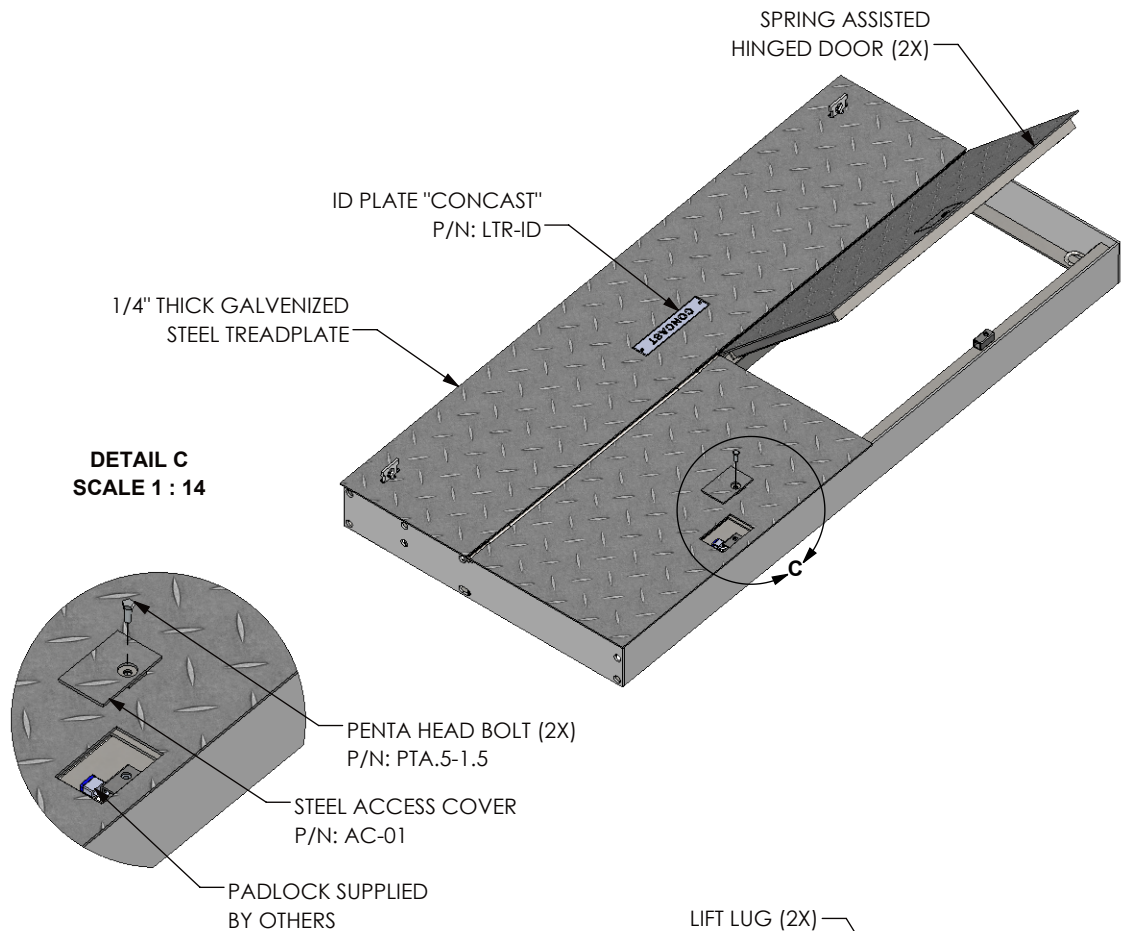
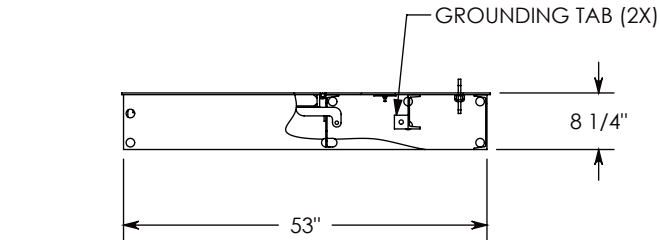
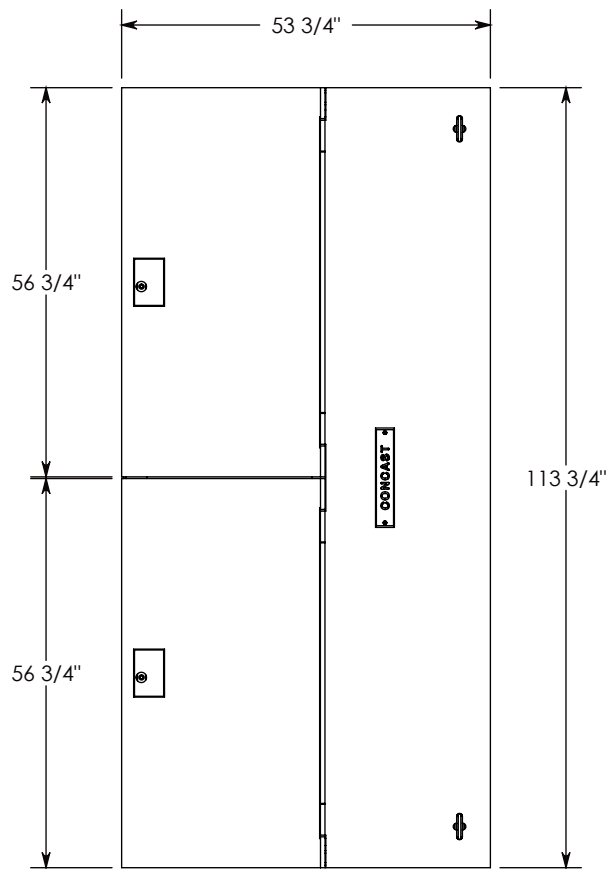
DIMENSIONS ARE IN INCHES  
TOLERANCES:  
FRACTIONAL: ± 1/8"  
ANGULAR: ± 2°

CONTACT INFORMATION:  
EMAIL: [INFO@CONCASTINC.COM](mailto:INFO@CONCASTINC.COM)  
PHONE: (507) 732-4095  
FAX: (507) 732-4094

SHEET 1 OF 2

PART NUMBER:

**FCVP-120-114-76-SG4**



NOTE 1: COVER FITS A 120-114 VAULT (OPENING SIZE = 114" X108" )

PEDESTRIAN RATED - 200 LB. PER SQ. FOOT

DRAWN BY: <b>JESSE GUTTING</b>	
CREATED DATE: <b>10/20/2009</b>	REVISION LEVEL: <b>0</b>
SAVED DATE: <b>3/24/2020</b>	SAVED BY: <b>jgutting</b>
WEIGHT: <b>911 LBS.</b>	MATERIAL: <b>NOTED</b>



1010 NORTH STAR DRIVE  
P.O. BOX 69  
ZUMBROTA, MN 55992-0069

DESCRIPTION: <b>VAULT COVER - HINGED</b>		
DIMENSIONS ARE IN INCHES TOLERANCES: FRACTIONAL: ± 1/8" ANGULAR: ± 2°	CONTACT INFORMATION: EMAIL: <a href="mailto:INFO@CONCASTINC.COM">INFO@CONCASTINC.COM</a> PHONE: (507) 732-4095 FAX: (507) 732-4094	SHEET 2 OF 2
PART NUMBER: <b>FCV-120-114-SA-LK-PD</b>		