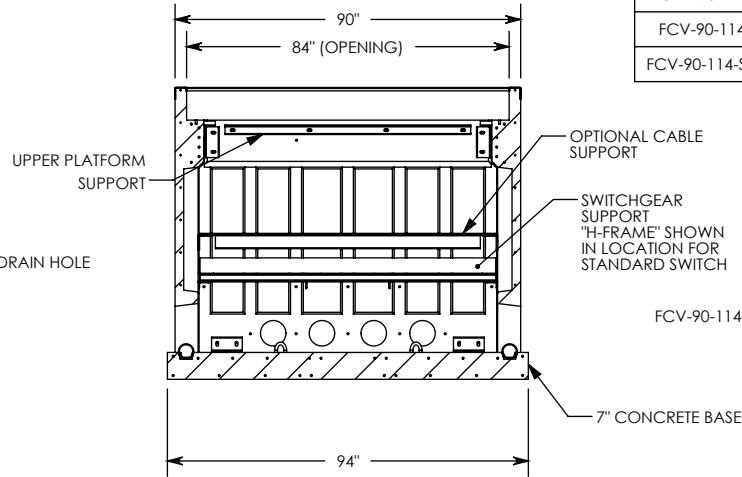
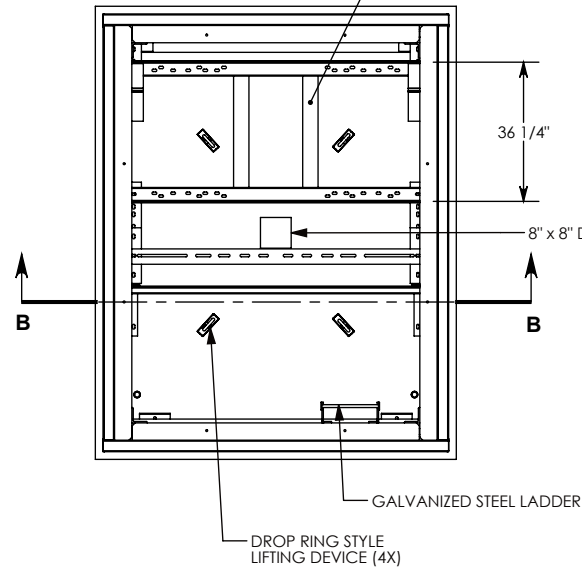


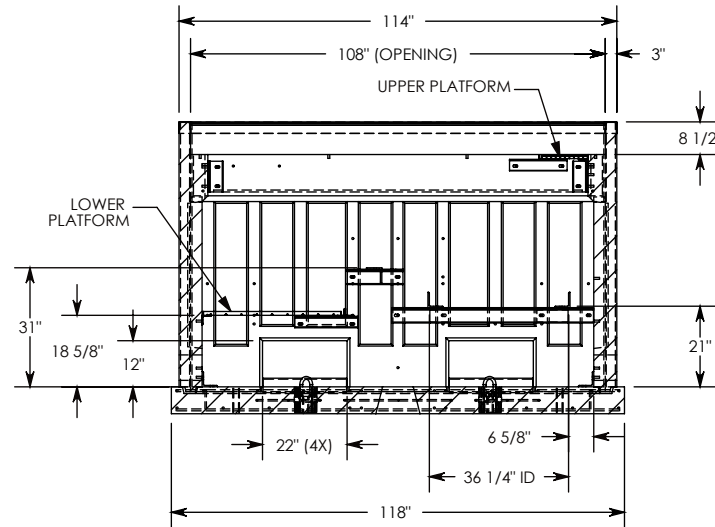
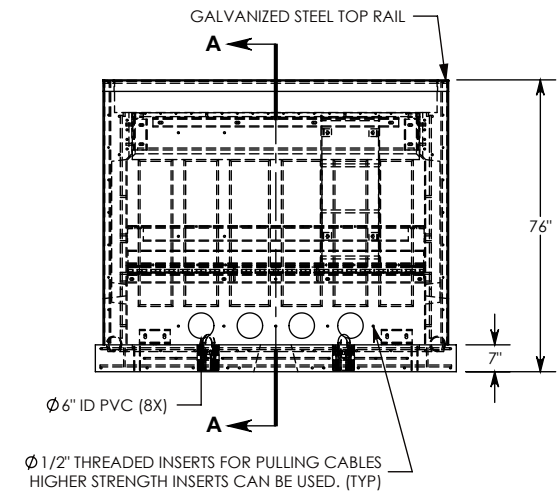
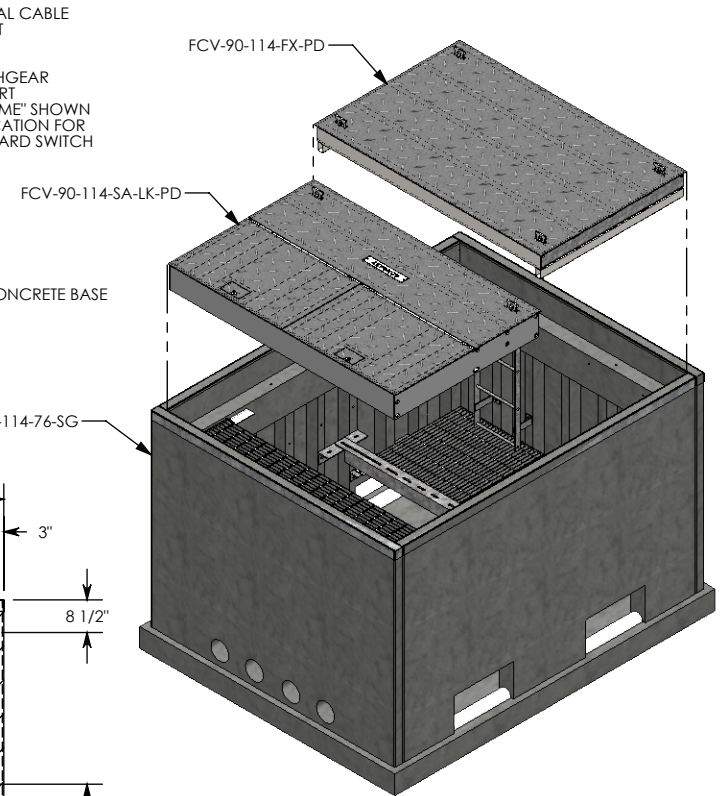
UPPER AND LOWER PLATFORM REMOVED FROM THIS VIEW.

SWITCHGEAR SUPPORT - 3/8" ANGLE (TYP) ADJUSTABLE TO FIT 2, 3, & 4 WAY UNITS. WILL ALSO FIT THE VISTA R1 MODELS.



SECTION B-B

| VAULT PACKAGE BILL OF MATERIALS (BOM) | | |
|---------------------------------------|---|-----|
| PART NUMBER | DESCRIPTION | QTY |
| FCVP-90-114-76-NG | VAULT WITH GALVANIZED STEEL HARDWARE (HKIT-90-114-SG) | 1 |
| FCV-90-114-FX-PD | FIXED STEEL COVER WITH STD. DECK PLATE | 1 |
| FCV-90-114-SA-LK-PD | SPRING-ASSISTED STEEL COVER WITH STD. DECK PLATE | 1 |



SECTION A-A

- NOTES:
1. VAULT BASE AND WALLS MEET AASHTO H-20 HEAVY EQUIPMENT REQUIREMENT 32,000 LB. AXLE LOAD. OVERALL VAULT RATING DEPENDENT ON COVERS.
 2. DESIGNED PER S & C PULL BOX SPECIFICATIONS DATA SHEET 681-51. INCLUDING ALL OPTIONAL INTERIOR STEEL HARDWARE.
 3. ALL INTERNAL HARDWARE IS GALVANIZED STEEL.
 4. VAULT COMES PRE-ASSEMBLED WITH COVERS REMOVED FOR EASY INSTALLATION OF YOUR SWITCHGEAR.
 5. UNIT MUST BE LIFTED VIA THE FOUR CAST-IN, DROP RING LIFTING DEVICES SHOWN.
 6. LISTED WEIGHT IS THE ASSEMBLED VAULT WITH THE COVER.

DRAWN BY: **JESSE GUTTING**

CREATED DATE: **10/20/2009**

REVISION LEVEL: **C**

SAVED DATE: **3/23/2020**

SAVED BY: **jgutting**

WEIGHT:
18279 LBS.

MATERIAL:
NOTED

CONCAST
1010 NORTH STAR DRIVE
P.O. BOX 69
ZUMBROTA, MN 55992-0069

DESCRIPTION:

PRECAST CONCRETE VAULT

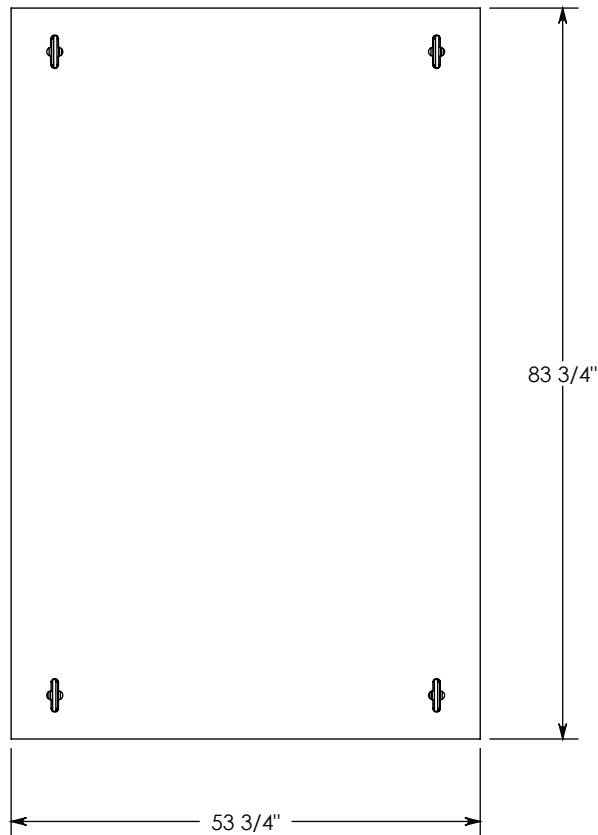
DIMENSIONS ARE IN INCHES
TOLERANCES:
FRACTIONAL: ± 1/8"
ANGULAR: ± 2°

CONTACT INFORMATION:
EMAIL: INFO@CONCASTINC.COM
PHONE: (507) 732-4095
FAX: (507) 732-4094

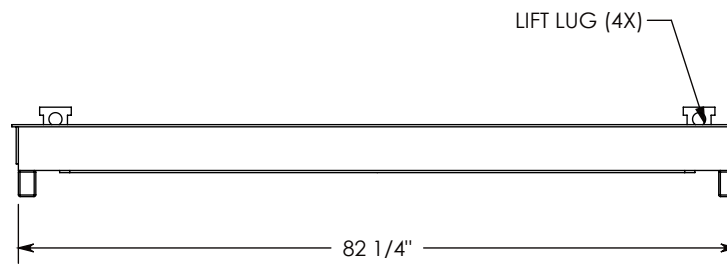
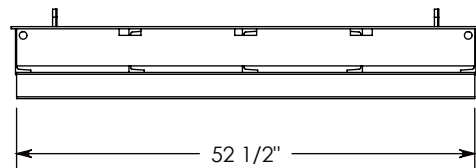
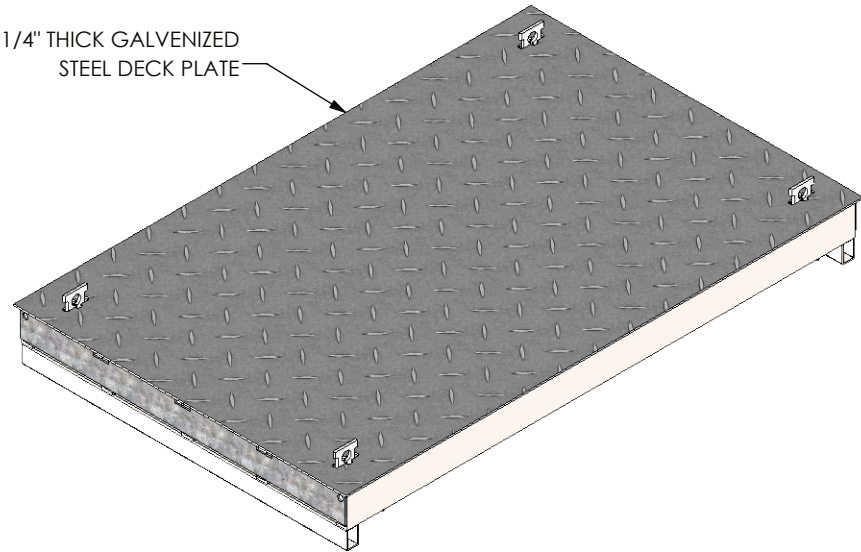
SHEET 1 OF 3

PART NUMBER:

FCVP-90-114-76-NG



1/4" THICK GALVANIZED
STEEL DECK PLATE



LIFT LUG (4X)

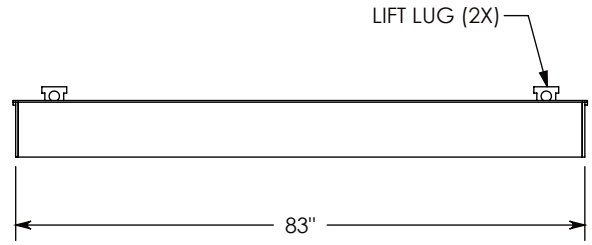
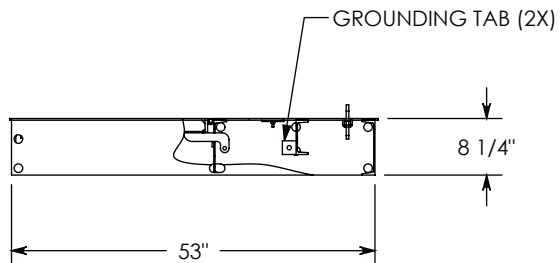
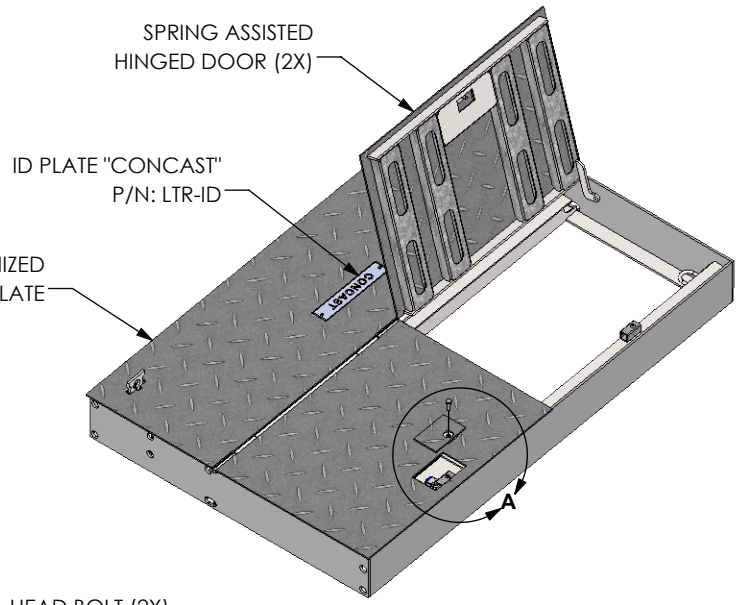
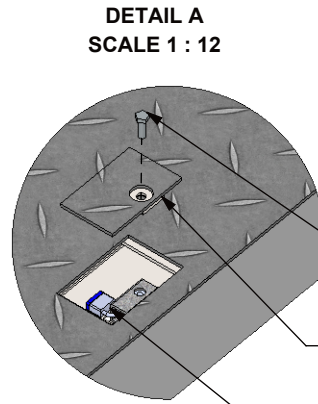
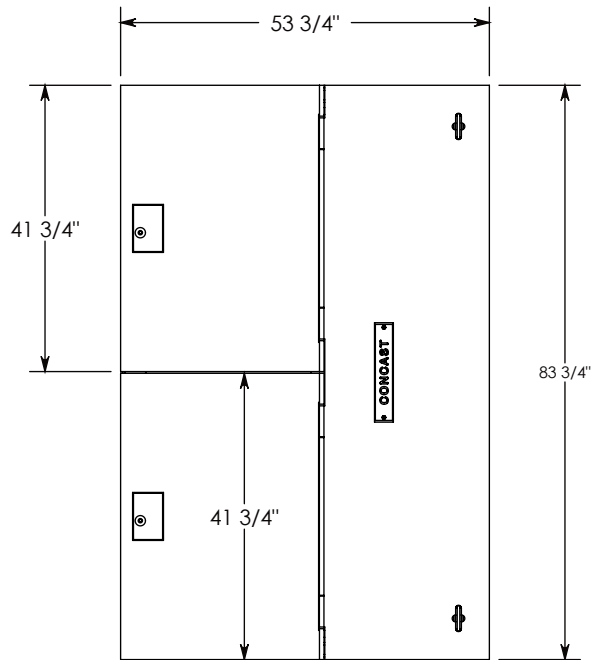
NOTE 1: COVER FITS A 90-114 VAULT (OPENING SIZE = 84" X108")

PEDESTRIAN RATED - 200 LB. PER SQ. FOOT

| | |
|---------------------------------|-------------------------------------|
| DRAWN BY: JESSE GUTTING | |
| CREATED DATE: 10/20/2009 | REVISION LEVEL: 0 |
| SAVED DATE: 3/23/2020 | SAVED BY: jgutting |
| WEIGHT: 689 LBS. | MATERIAL: WELDED GALV. STEEL |


CONCAST
 1010 NORTH STAR DRIVE
 P.O. BOX 69
 ZUMBROTA, MN 55992-0069

| | | |
|--|---|--------------|
| DESCRIPTION: VAULT COVER - FIXED | | SHEET 2 OF 3 |
| DIMENSIONS ARE IN INCHES TOLERANCES: FRACTIONAL: ± 1/8" ANGULAR: ± 2° | CONTACT INFORMATION: EMAIL: INFO@CONCASTINC.COM PHONE: (507) 732-4095 FAX: (507) 732-4094 | |
| PART NUMBER: FCV-90-114-FX-PD | | |



NOTE 1: COVER FITS A 90-114 VAULT (OPENING SIZE = 84" X108")

PEDESTRIAN RATED - 200 LB. PER SQ. FOOT

| | |
|---------------------------------|-------------------------------------|
| DRAWN BY: JESSE GUTTING | |
| CREATED DATE: 10/20/2009 | REVISION LEVEL: 0 |
| SAVED DATE: 3/23/2020 | SAVED BY: jgutting |
| WEIGHT: 693 LBS. | MATERIAL: WELDED GALV. STEEL |



1010 NORTH STAR DRIVE
P.O. BOX 69
ZUMBROTA, MN 55992-0069

| | | |
|--|---|--------------|
| DESCRIPTION: VAULT COVER - HINGED | | SHEET 3 OF 3 |
| DIMENSIONS ARE IN INCHES TOLERANCES: FRACTIONAL: ± 1/8" ANGULAR: ± 2° | CONTACT INFORMATION: EMAIL: INFO@CONCASTINC.COM PHONE: (507) 732-4095 FAX: (507) 732-4094 | |
| PART NUMBER: FCV-90-114-SA-LK-PD | | |