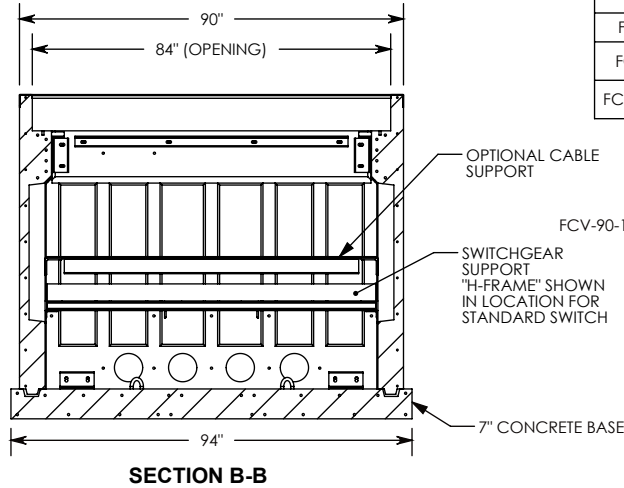
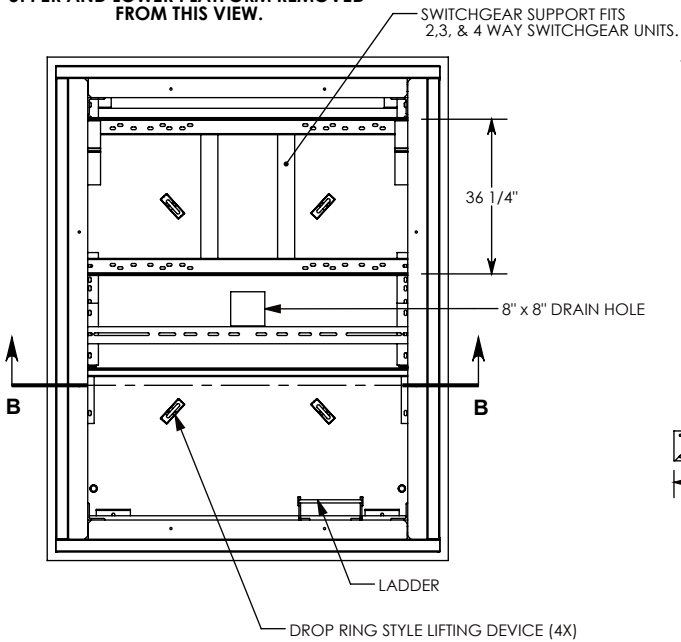
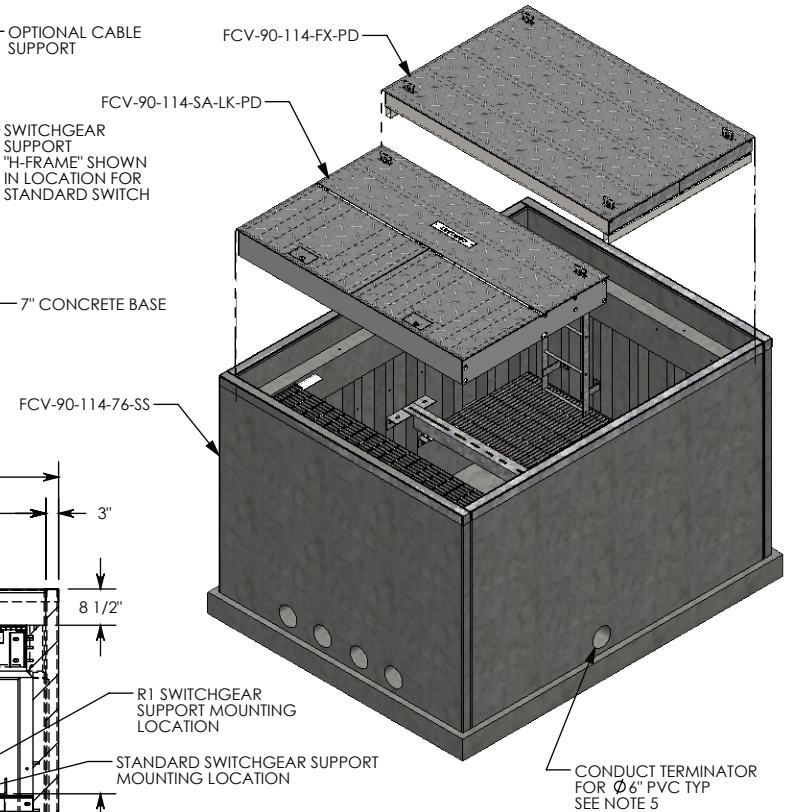


UPPER AND LOWER PLATFORM REMOVED FROM THIS VIEW.

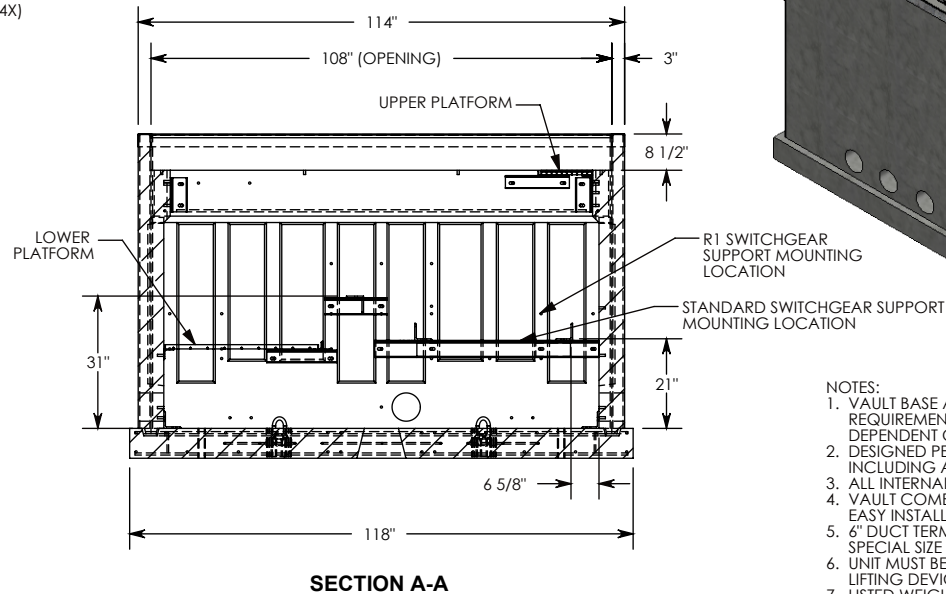
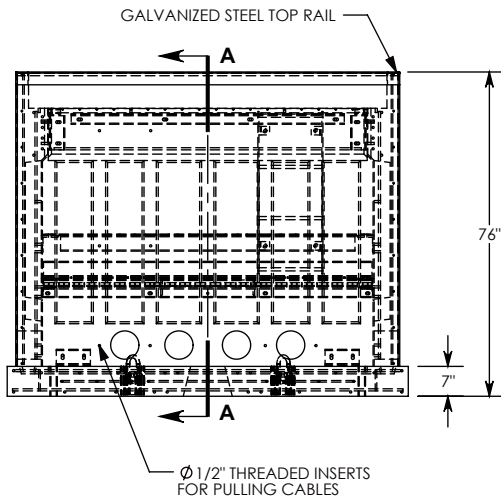


**VAULT PACKAGE BILL OF MATERIALS (BOM)**

PART NUMBER	DESCRIPTION	QTY
FCV-90-114-76-SS	VAULT WITH STAINLESS STEEL HARDWARE	1
FCV-90-114-FX-PD	FIXED STEEL COVER WITH STD. DECK PLATE	1
FCV-90-114-SA-LK-PD	SPRING-ASSISTED STEEL COVER WITH STD. DECK PLATE & PADLOCK PROVISION	1



- NOTES:
1. VAULT BASE AND WALLS MEET AASHTO H-20 HEAVY EQUIPMENT REQUIREMENT 32,000 LB. AXLE LOAD. OVERALL VAULT RATING DEPENDENT ON COVERS.
  2. DESIGNED PER S & C PULL BOX SPECIFICATIONS DATA SHEET 681-51. INCLUDING ALL OPTIONAL INTERIOR STEEL HARDWARE.
  3. ALL INTERNAL HARDWARE IS STAINLESS STEEL.
  4. VAULT COMES PRE-ASSEMBLED WITH COVERS REMOVED FOR EASY INSTALLATION OF YOUR SWITCHGEAR.
  5. 6" DUCT TERMINATORS CAST INTO THE WALLS ARE TYPICAL, BUT ANY SPECIAL SIZE HOLES OR KNOCKOUTS CAN BE ORDERED.
  6. UNIT MUST BE LIFTED VIA THE FOUR CAST-IN, DROP RING LIFTING DEVICES SHOWN.
  7. LISTED WEIGHT IS THE ASSEMBLED VAULT WITH THE COVERS.



DRAWN BY: **JESSE GUTTING**

CREATED DATE: **10/20/2009** REVISION LEVEL: **0**

SAVED DATE: **3/18/2020** SAVED BY: **jgutting**

WEIGHT: **18779 LBS.** MATERIAL: **NOTED**

**CONCAST**  
 1010 NORTH STAR DRIVE  
 P.O. BOX 69  
 ZUMBROTA, MN 55992-0069

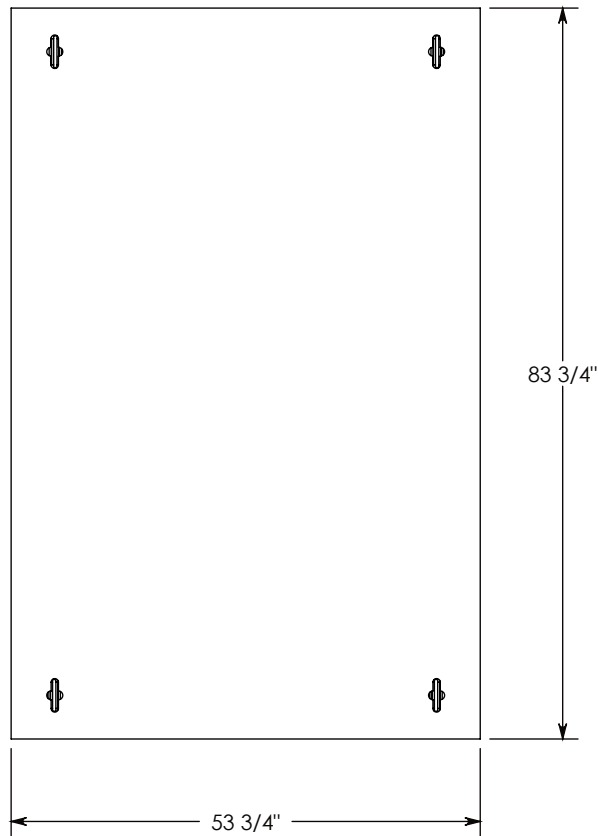
DESCRIPTION:  
**PRECAST CONCRETE VAULT**

DIMENSIONS ARE IN INCHES  
 TOLERANCES:  
 FRACTIONAL: ± 1/8"  
 ANGULAR: ± 2°

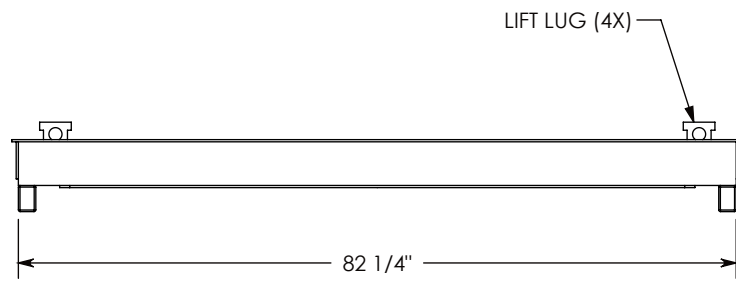
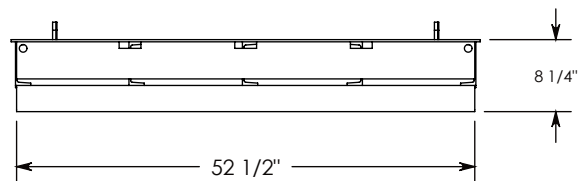
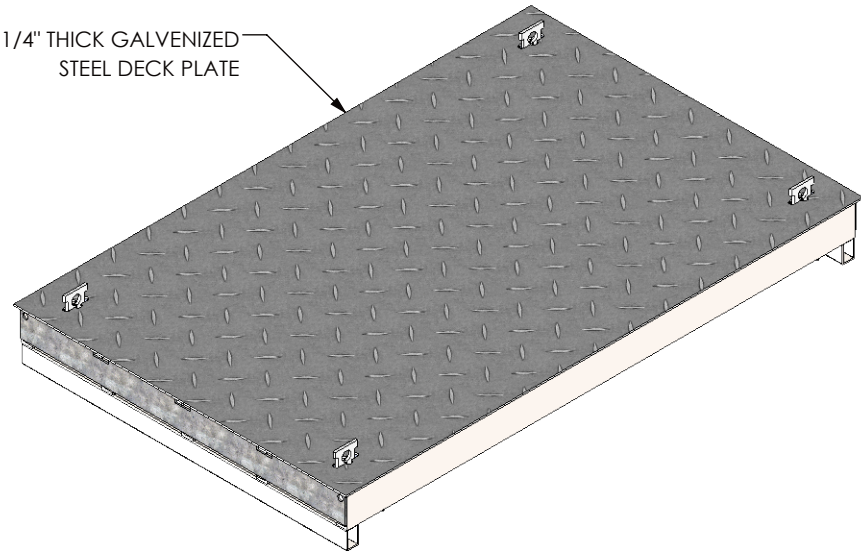
CONTACT INFORMATION:  
 EMAIL: [INFO@CONCASTINC.COM](mailto:INFO@CONCASTINC.COM)  
 PHONE: (507) 732-4095  
 FAX: (507) 732-4094

SHEET 1 OF 3

PART NUMBER:  
**FCVP-90-114-76-SS2**



1/4" THICK GALVENIZED  
STEEL DECK PLATE



LIFT LUG (4X)

NOTE 1: COVER FITS A 90-114 VAULT (OPENING SIZE = 84" X 108")

PEDESTRIAN RATED - 200 LB. PER SQ. FOOT

DRAWN BY: **JESSE GUTTING**

CREATED DATE: **10/20/2009** REVISION LEVEL: **0**

SAVED DATE: **3/18/2020** SAVED BY: **jgutting**

WEIGHT: **689 LBS.** MATERIAL: **WELDED GALV. STEEL**

**CONCAST**  
1010 NORTH STAR DRIVE  
P.O. BOX 69  
ZUMBROTA, MN 55992-0069

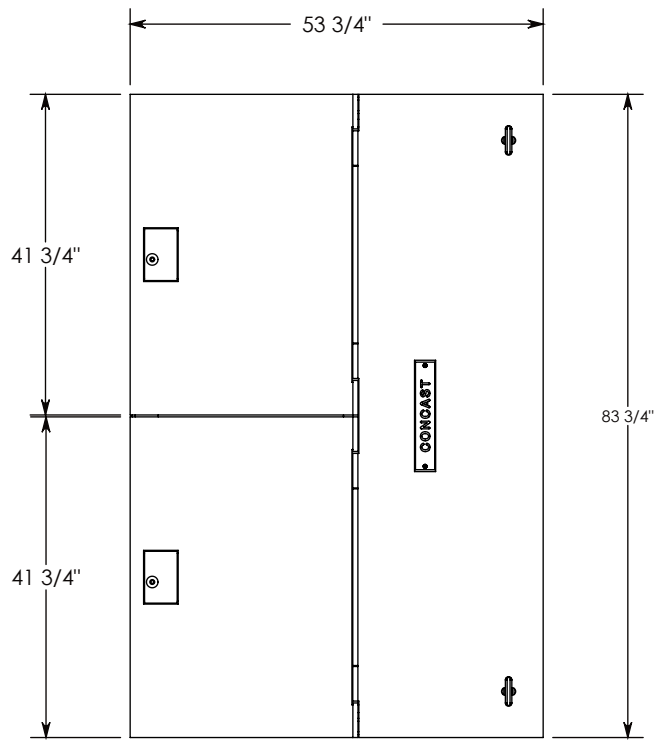
DESCRIPTION:  
**VAULT COVER - FIXED**

DIMENSIONS ARE IN INCHES  
TOLERANCES:  
FRACTIONAL: ± 1/8"  
ANGULAR: ± 2°

CONTACT INFORMATION:  
EMAIL: [INFO@CONCASTINC.COM](mailto:INFO@CONCASTINC.COM)  
PHONE: (507) 732-4095  
FAX: (507) 732-4094

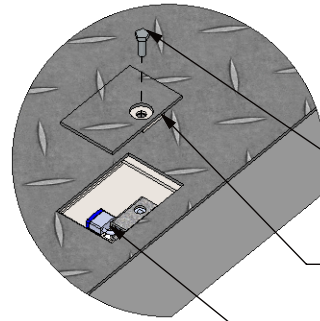
SHEET 2 OF 3

PART NUMBER:  
**FCV-90-114-FX-PD**



1/4" THICK GALVANIZED  
STEEL TREADPLATE

DETAIL C  
SCALE 1 : 12



SPRING ASSISTED  
HINGED DOOR (2X)

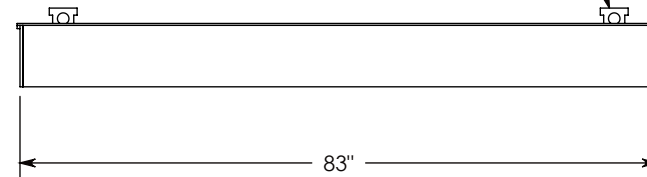
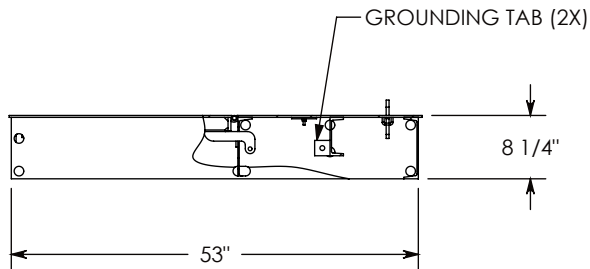
ID PLATE "CONCAST"  
P/N: LTR-ID

PENTA HEAD BOLT (2X)  
P/N: PTA.5-1.5

STEEL ACCESS COVER  
P/N: AC-01

PADLOCK SUPPLIED  
BY OTHERS

LIFT LUG (2X)



NOTE 1: COVER FITS A 90-114 VAULT (OPENING SIZE = 84" X 108" )

PEDESTRIAN RATED - 200 LB. PER SQ. FOOT

DRAWN BY: **JESSE GUTTING**

CREATED DATE: **10/20/2009** REVISION LEVEL: **0**

SAVED DATE: **3/18/2020** SAVED BY: **jgutting**

WEIGHT: **693 LBS.** MATERIAL: **WELDED GALV. STEEL**

**CONCAST**  
1010 NORTH STAR DRIVE  
P.O. BOX 69  
ZUMBROTA, MN 55992-0069

DESCRIPTION:  
**VAULT COVER - HINGED**

DIMENSIONS ARE IN INCHES  
TOLERANCES:  
FRACTIONAL: ± 1/8"  
ANGULAR: ± 2°

CONTACT INFORMATION:  
EMAIL: [INFO@CONCASTINC.COM](mailto:INFO@CONCASTINC.COM)  
PHONE: (507) 732-4095  
FAX: (507) 732-4094

SHEET 3 OF 3

PART NUMBER:  
**FCV-90-114-SA-LK-PD**