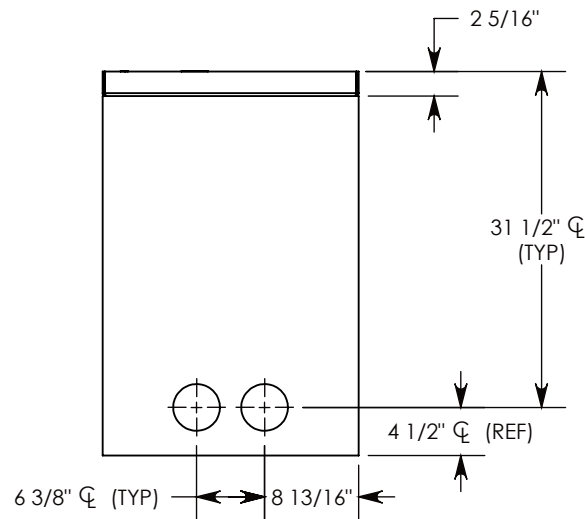
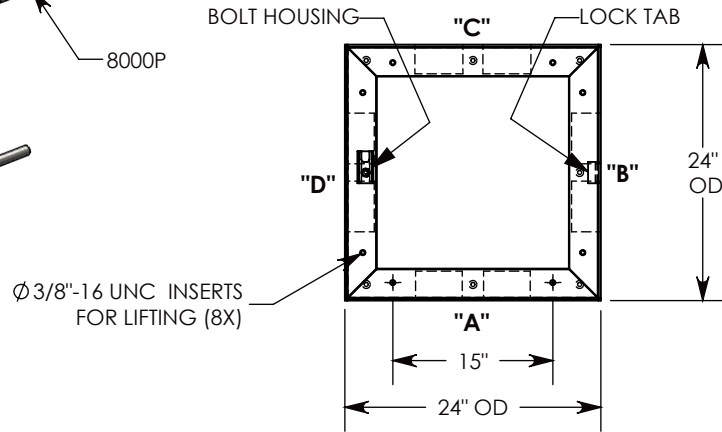
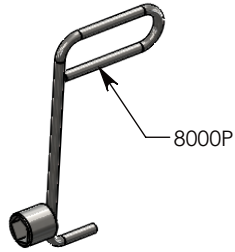
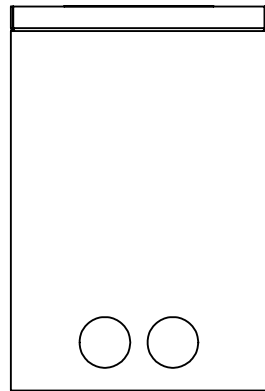


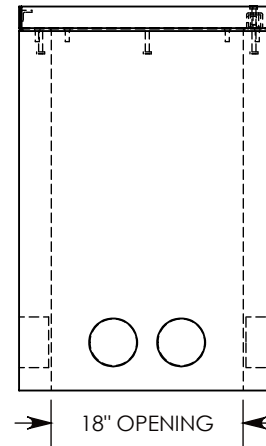
OPTIONAL PENTAHEAD SOCKET-EQUIPPED LIFTING TOOL



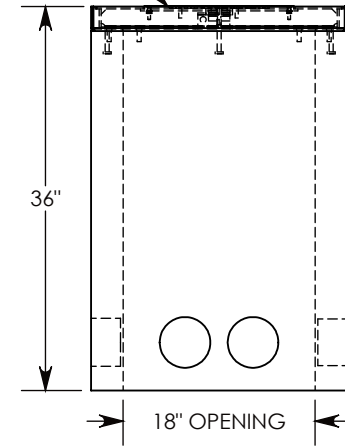
SIDE "A" (HLR)



SIDE "B" (HLR)



SIDE "C"



SIDE "D"

3/8-16 UNC X 1.5" LG PENTA HD BOLT (P/N: PTA.38-1.5) FOR SECURING THE COVER. BOLT HOLE IS USED FOR COVER LIFT OPERATIONS. SEE NOTE 2

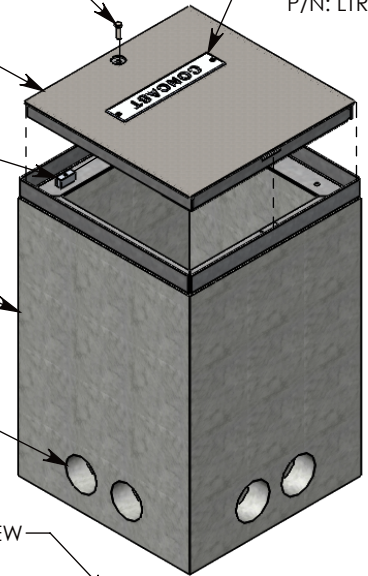
GALV. STEEL COVER P/N: 24-24-FHR ~64 LBS.

2" ALUMINUM FLOATING NUT P/N: FLT-NUT-7

STEEL REINFORCED CONCRETE BASE W/CAST-IN GALV. STEEL FRAME P/N: FHR-24-24-36-R

CON-DUCT TERMINATIONS ARE CAST INTO BOX SIDEWALLS. THEY FIT UP TO 4" PVC PIPE. TO ACCESS THE HOLES, BREAK PLASTIC SEAL. SEE NOTE 1.

ALUMINUM ID PLATE "CONCAST" P/N: LTR-ID



COVER SHOWN IN THIS VIEW

NOTE 1: FOR PVC SIZES SMALLER THAN 4", USE CONCAST RC41 (REDUCING COUPLER).

NOTE 2: FOR ADDED SECURITY, REPLACE PENTAHEAD BOLTS WITH SURELOCK BOLTS AND ORDER UNDER P/N: FHRSL-24-24-36

H20 RATED - 32,000 LB. PER AXLE LOAD.

DRAWN BY: ROBIN FLINT

DATE: 4/24/2016

REVISION LEVEL: A

WEIGHT:

754 LBS. W/COVER

MATERIAL:

NOTED



DESCRIPTION:

HEAVY TRAFFIC HANDHOLE

DIMENSIONS ARE IN INCHES
TOLERANCES:
FRACTIONAL: $\pm 1/8"$
ANGULAR: $\pm 2^\circ$

CONTACT INFORMATION:
EMAIL: INFO@CONCASTINC.COM
PHONE: (507) 732-4095
FAX: (507) 732-4094

SHEET 1 OF 1

PART NUMBER:

FHR-24-24-36