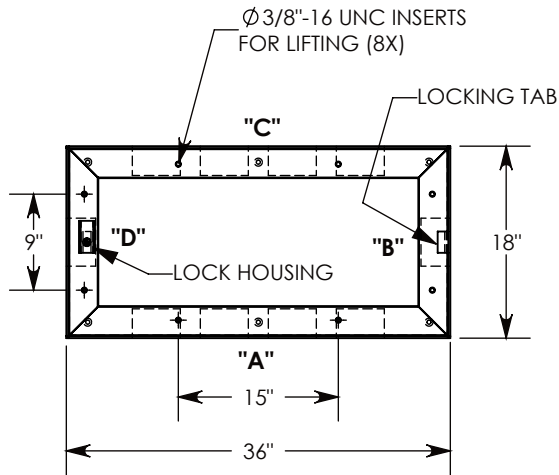
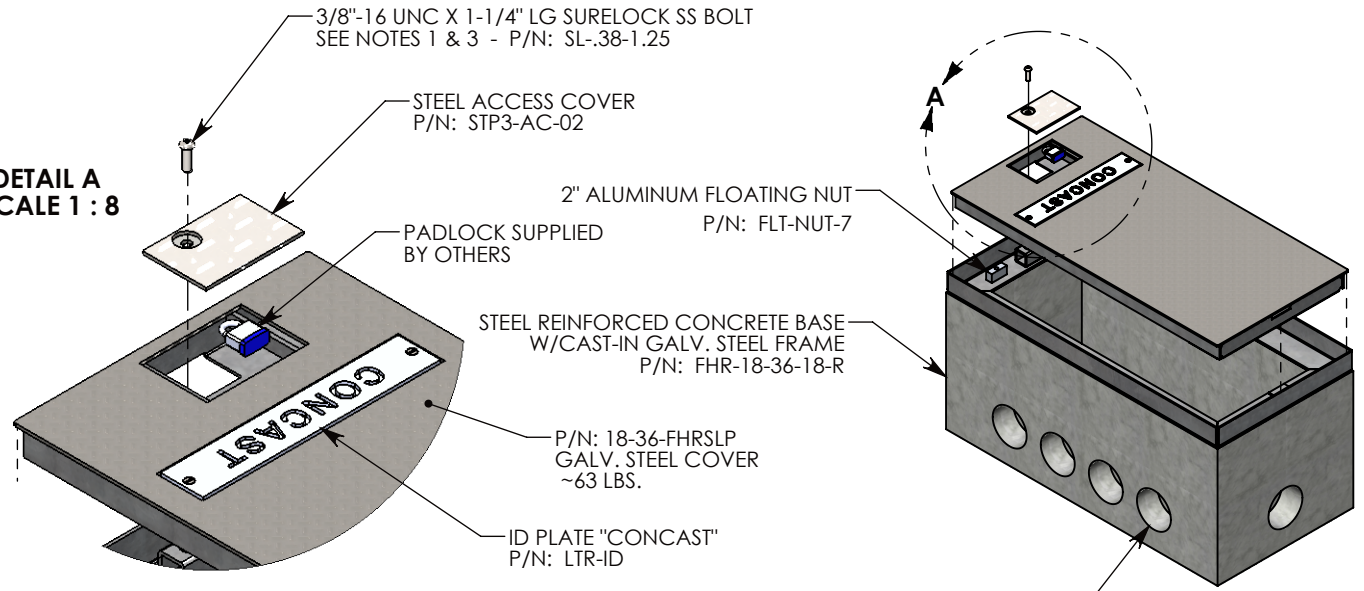
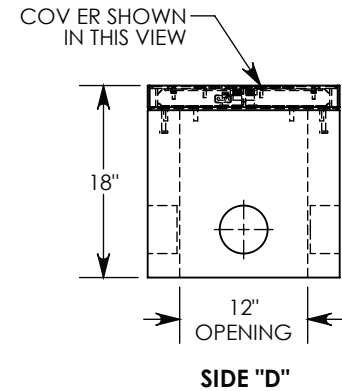
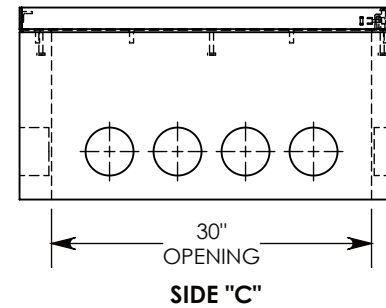
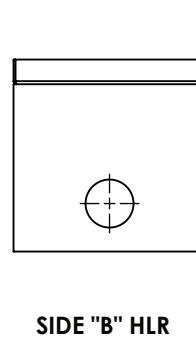
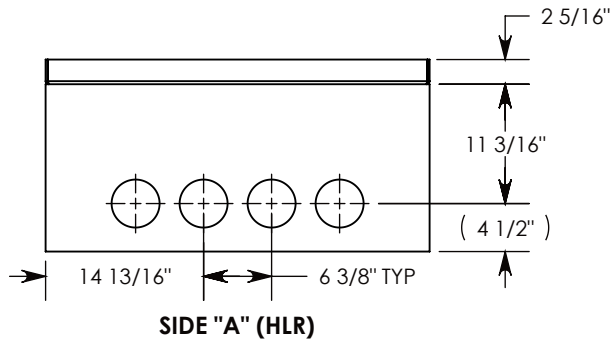


**DETAIL A  
SCALE 1 : 8**



CON-DUCT TERMINATIONS ARE CAST INTO BOX SIDEWALLS. THEY FIT UP TO 4\"/>



**NOTE 1:** CUSTOM KEYPED FOR LOCKING THE ACCESS COVER. SURELOCK BOLT CAN ONLY BE REMOVED BY USING THE CONCAST SUPPLIED TOOL. P/N: 8000SL

**NOTE 2:** FOR PVC SIZES SMALLER THAN 4\", USE CONCAST RC41 (REDUCING COUPLER).

**NOTE 3:** THE SURELOCK BOLT CAN BE REPLACED WITH A PENTA HEAD (PTA-38-1.5) AND ORDERED UNDER P/N: FHRPP-18-36-18

AASHTO H-20 RATED – 32,000 LB. SINGLE AXLE LOAD

<b>DRAWN BY: TOM JANSEN</b>	
<b>CREATED DATE: 3/29/2010</b>	<b>REVISION LEVEL: A</b>
<b>SAVED DATE: 6/16/2020</b>	<b>SAVED BY: tjansen</b>
<b>WEIGHT: 425 LBS.</b>	<b>MATERIAL: NOTED</b>



1010 NORTH STAR DRIVE  
P.O. BOX 69  
ZUMBROTA, MN 55992-0069

<b>DESCRIPTION:</b>		
<b>HEAVY TRAFFIC HANDHOLE</b>		
DIMENSIONS ARE IN INCHES	CONTACT INFORMATION:	SHEET 1 OF 1
TOLERANCES:	EMAIL: INFO@CONCASTINC.COM	
FRACTIONAL: ± 1/8"	PHONE: (507) 732-4095	
ANGULAR: ± 2°	FAX: (507) 732-4094	
<b>PART NUMBER:</b>		
<b>FHRSLP-18-36-18</b>		