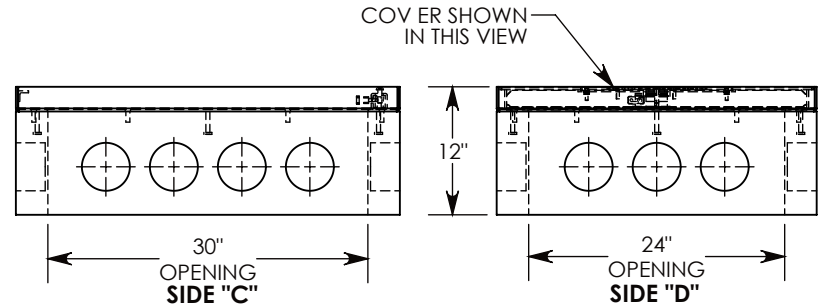


SIDE "A" (HLR)

SIDE "B" (HLR)



NOTE 1: CUSTOM KEYED FOR LOCKING THE ACCESS COVER. SURELOCK BOLT CAN ONLY BE REMOVED BY USING THE CONCAST SUPPLIED TOOL. P/N: 8000SL

NOTE 2: FOR PVC SIZES SMALLER THAN 4", USE CONCAST RC41 (REDUCING COUPLER).

NOTE 3: THE SURELOCK BOLT CAN BE REPLACED WITH A PENTA HEAD (PTA-.38-1.5) AND ORDERED UNDER P/N: FHRPP-30-36-12

AASHTO H-20 RATED - 32,000 LB. SINGLE AXLE LOAD

DRAWN BY: TOM JANSEN	
CREATED DATE: 3/29/2010	REVISION LEVEL: A
SAVED DATE: 6/23/2020	SAVED BY: tjansen
WEIGHT: 373 LBS.	MATERIAL: NOTED

1010 NORTH STAR DRIVE
P.O. BOX 69
ZUMBROTA, MN 55992-0069

DESCRIPTION:	
HEAVY TRAFFIC HANDHOLE	
DIMENSIONS ARE IN INCHES TOLERANCES: FRACTIONAL: ± 1/8" ANGULAR: ± 2°	CONTACT INFORMATION: EMAIL: INFO@CONCASTINC.COM PHONE: (507) 732-4095 FAX: (507) 732-4094
PART NUMBER:	
FHRSLP-30-36-12	