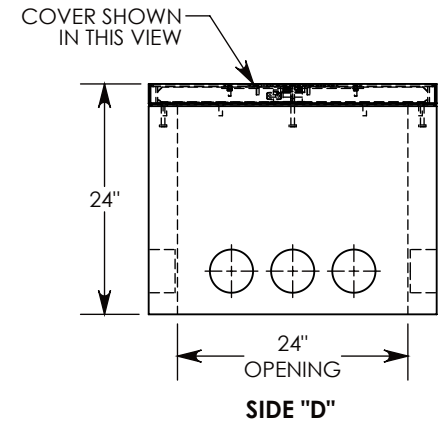
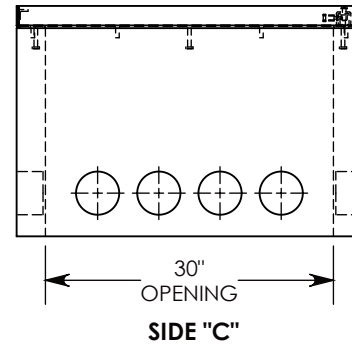
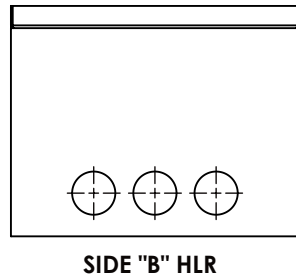
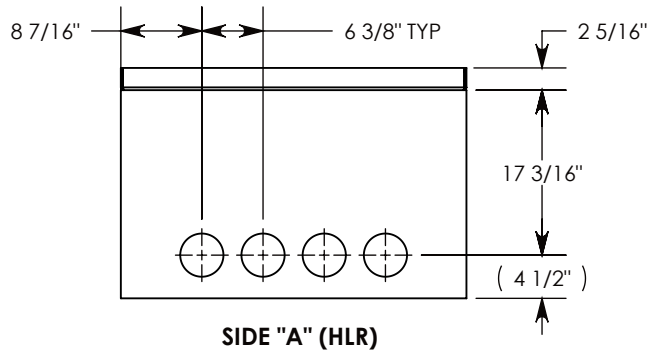


CON-DUCT TERMINATIONS ARE CAST INTO BOX SIDEWALLS. THEY FIT UP TO 4" PVC PIPE. TO ACCESS THE HOLES, BREAK PLASTIC SEAL. SEE NOTE 2.



**NOTE 1:** CUSTOM KEYED FOR LOCKING THE ACCESS COVER. SURELOCK BOLT CAN ONLY BE REMOVED BY USING THE CONCAST SUPPLIED TOOL. P/N: 8000SL

**NOTE 2:** FOR PVC SIZES SMALLER THAN 4", USE CONCAST RC41 (REDUCING COUPLER).

**NOTE 3:** THE SURELOCK BOLT CAN BE REPLACED WITH A PENTA HEAD (PTA-.38-1.5) AND ORDERED UNDER P/N: FHRPP-30-36-24

AASHTO H-20 RATED - 32,000 LB. SINGLE AXLE LOAD

<b>DRAWN BY: TOM JANSEN</b>	
<b>CREATED DATE: 3/29/2010</b>	<b>REVISION LEVEL: A</b>
<b>SAVED DATE: 6/23/2020</b>	<b>SAVED BY: tjansen</b>
<b>WEIGHT: 726 LBS.</b>	<b>MATERIAL: NOTED</b>

1010 NORTH STAR DRIVE  
P.O. BOX 69  
ZUMBROTA, MN 55992-0069

<b>DESCRIPTION:</b>	
<b>HEAVY TRAFFIC HANDHOLE</b>	
DIMENSIONS ARE IN INCHES TOLERANCES: FRACTIONAL: $\pm 1/8"$ ANGULAR: $\pm 2^\circ$	CONTACT INFORMATION: EMAIL: INFO@CONCASTINC.COM PHONE: (507) 732-4095 FAX: (507) 732-4094
<b>PART NUMBER:</b>	
<b>FHRSLP-30-36-24</b>	
SHEET 1 OF 1	